

Concealed hinges A - 120° opening

Model : 60-1-3779

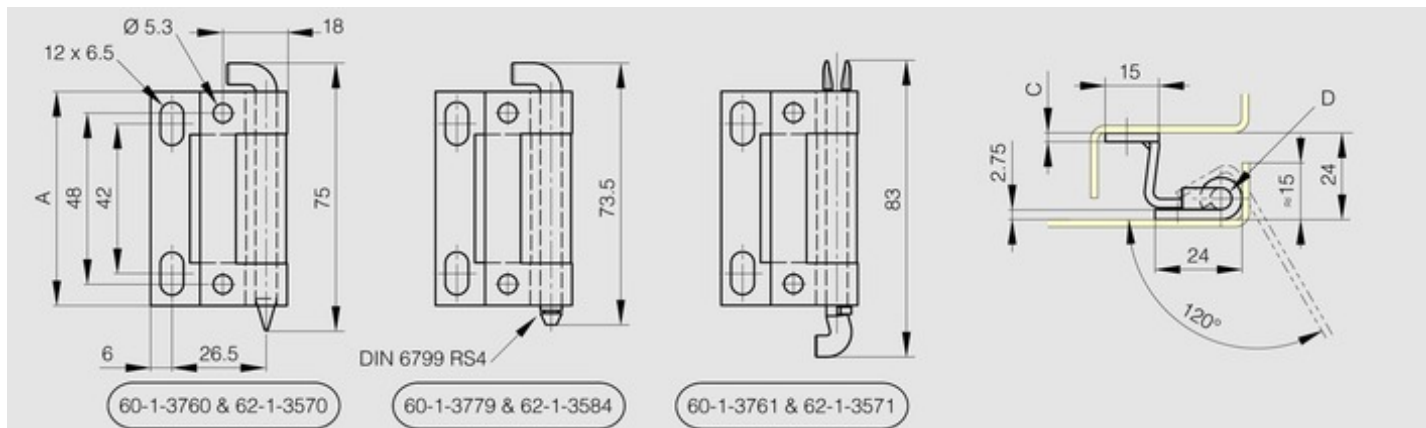


Zinc plated steel version: small flat side in raw steel.

Stainless steel version: small flat side in stainless steel.

Natural POM pin diameter 6.

For pin with groove, optimal use of circlips DIN 6799 RS4 or O-ring 99-7-3723 (on request).



Material	steel
Finish	zinc plated
A (length)	60
D (pin diameter)	6
C	2.5
Weight (g)	85
Opening angle	120
Material	steel
Functions	concealed
Pin	zinc plated grooved pin