

## Compression latching hinges

Model : 54-7-3550



Latching hinge that may be used as hinge or latch according to need.

Allows you to open door as left- or right hinged door, or to remove door completely.

Universal left- and right assembly.

Available with a built-in safety catch for safe opening of pressurized doors. In addition to the 3 mm compression that always applies, the latching hinge can easily be adjusted between offset 0 mm, 1.5 mm or 3 mm to put more pressure on the gasket and ensure a tight and sealed door.

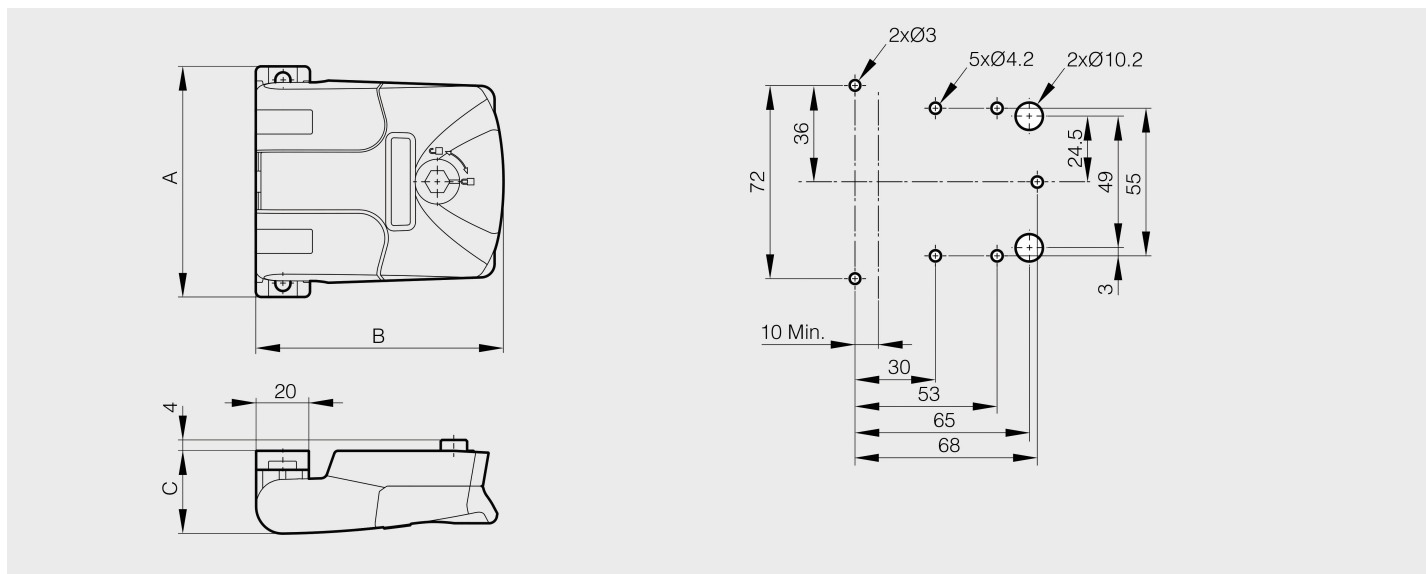
Door part mounts on a mounting bracket (included) which stabilize the door in the latching hinge area and provide further adjustability.

The latching hinge can be adjusted 3 mm in all three directions. Insert: recessed hexagon 8 mm, with open and close indication for insert position.

Frame part mounts with screws. Mounting bracket for the door mounts with Ø 4 mm blind rivets.

Note that a normal panel will need four units in order to operate as either left-open, right open, or completely removable.

No problems with thermal break as units are surface-mounted on to door and frame parts, resulting in no parts intruding through the double skinned doors.



Material	polyamide
Finish	black
A (length)	85
B (width)	91
C	30.5
Weight (g)	96
Opening angle	180
Note	without safety catch
Material	polymer