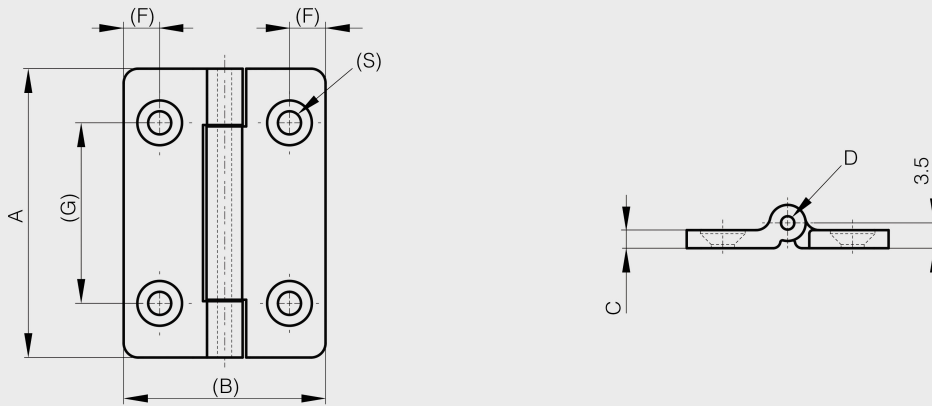


Mini torque hinges - torque 0.25 N.m

Model : 54-7-3547



Passed 20,000 open/close test.
Pin in 304 stainless steel.



Material	POM
Finish	black
A (length)	40
D (pin diameter)	2
B (width)	28
C	2.5
Weight (g)	5
G (pitch)	25
F (pitch)	5
Opening angle	250
S	3.2
Material	polymer
Functions	friction

Torque

0.25 N.m