

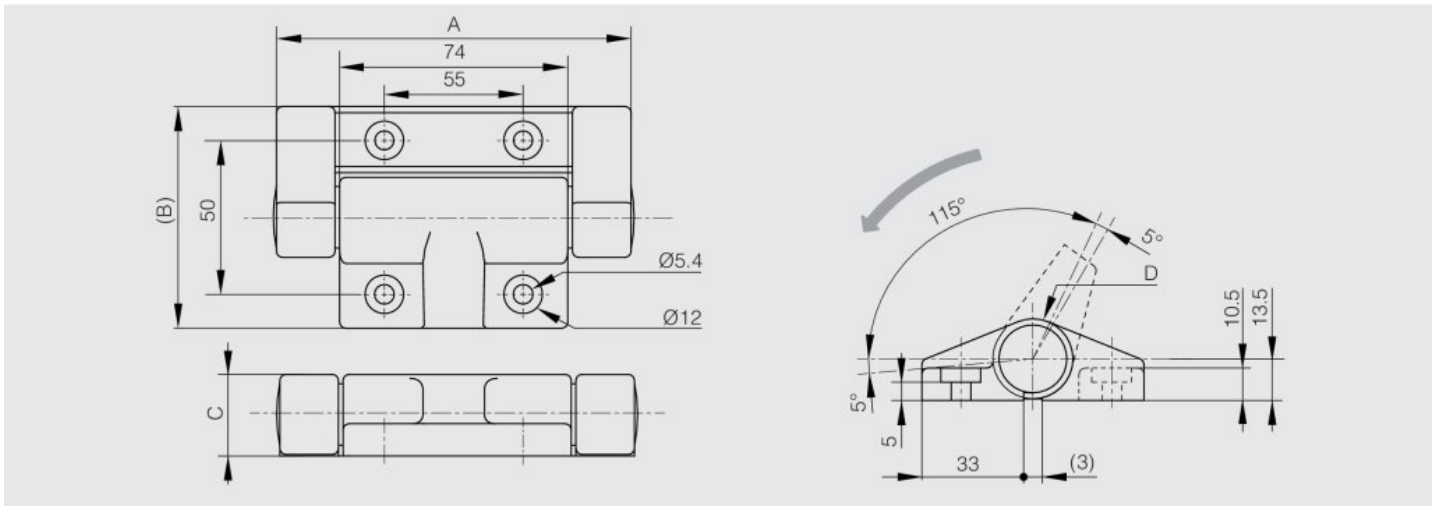
Soft-close dampening hinges in plastic

Model : 54-7-3543



- Soft close dampening hinge: soft-close damper keeps lid from slamming shut.
- Operating angle: 115°.
- If the opening angle is wider than 115° (+/- 5°), mechanism is broken and damper doesn't work any longer.
- Provide a door stopper to prevent from overturning beyond the prescribed angle range.
- Do not force the door to close faster in damper effective direction. It can cause damage to the product.
- When the door opening angle is small, the dampers may not work smoothly.
- Torque moment (pair): 10 to 14 N.m.
- Torque calculation:
Torque (N.m) = L (m) x 1/2 x W (kg) x 9.8 with:
 - L = door height in metre.
 - W = door weight in kilo.
- Operating temperature: 0 to +40°C
- 2 damper working directions available:
 - part number 54-7-3543: damper working direction when opening the hinge (as shown by the arrow on the drawing).
 - part number 54-7-3544: damper working direction when closing the hinge (not shown).

- Mounting examples: see drawings.



| | |
|------------------|--|
| Material | polymer |
| Finish | dark grey |
| A (length) | 115 |
| D (pin diameter) | 26 |
| B (width) | 72 |
| C | 26.5 |
| Weight (g) | 180 |
| Opening angle | 115 |
| Note | Damper working direction when opening the hinge: hinge without marking color (backside) |
| Material | plastic |

| | |
|-----------|---------------|
| Functions | torque damper |
| Torque | 5 - 7 N.m |