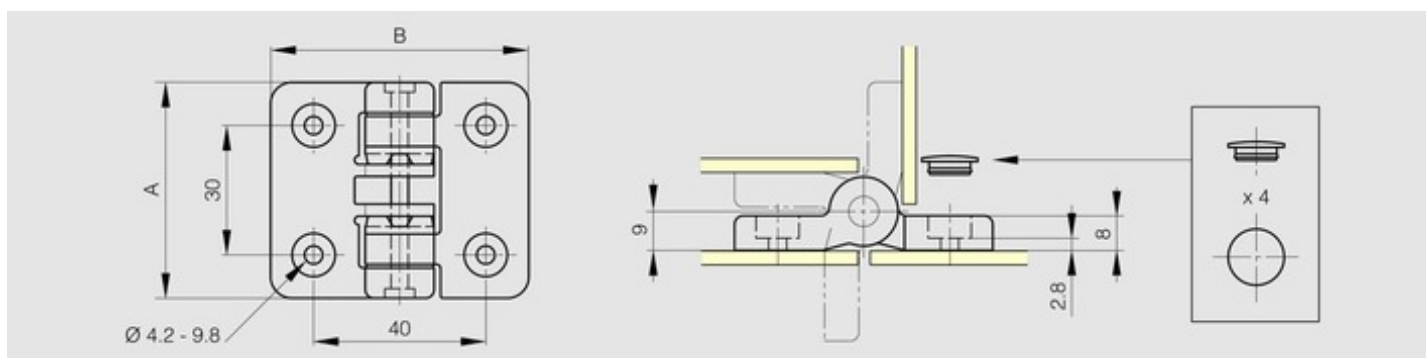


## Detent plastic hinges

Model : 54-7-3509



Holds door leaves in 4 different positions (90° each).  
Maximum door weight: 1.2 kg/pair.  
303 stainless steel pin.  
A full product data sheet is available on our website.



Material	polyacetal
Finish	ivory
A (length)	50
B (width)	60
Weight (g)	30
Opening angle	270
Material	plastic
Functions	detent hinges
Torque	0.49 N.m