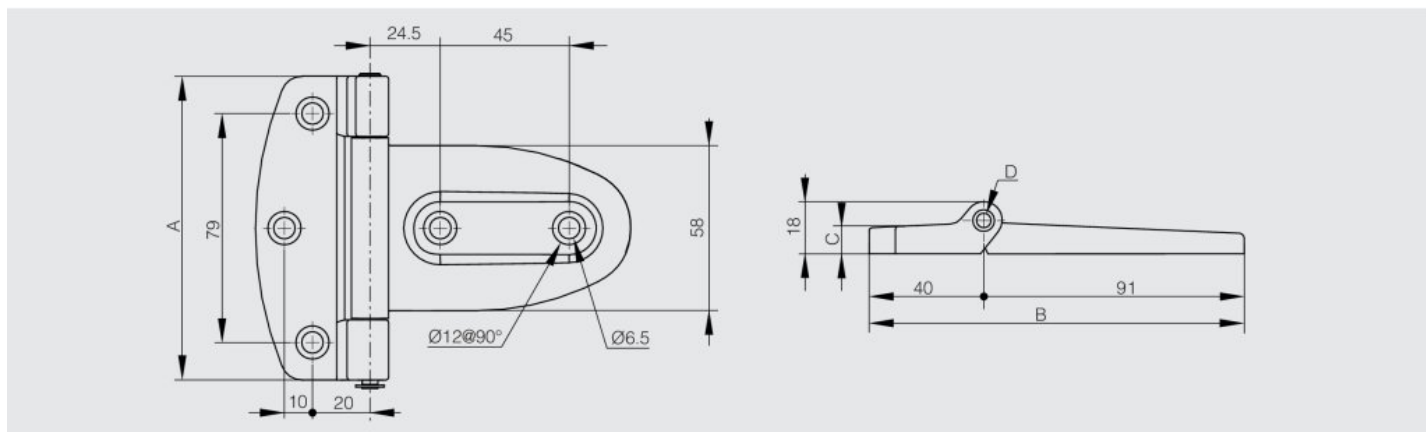


Heavy duty plastic hinge - 180° opening

Model : 54-1-9000



Nickel plated steel pin. Max. 180° opening.



Material	polyamide
Finish	black
A (length)	108
B (width)	131
D (pin diameter)	6
C	9.5
Weight (g)	98
Opening angle	180
Material	plastic
Functions	with stop