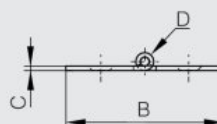
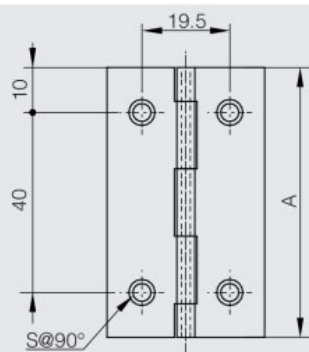


Hinges 60 x 35 mm

Model : 52-1-4009



Material	304 stainless steel
Finish	raw
A (length)	60
D (pin diameter)	2
B (width)	35
C	1
Weight (g)	20
Opening angle	270
Note	countersunk version
S	4
Material	stainless steel
Functions	free swing hinges