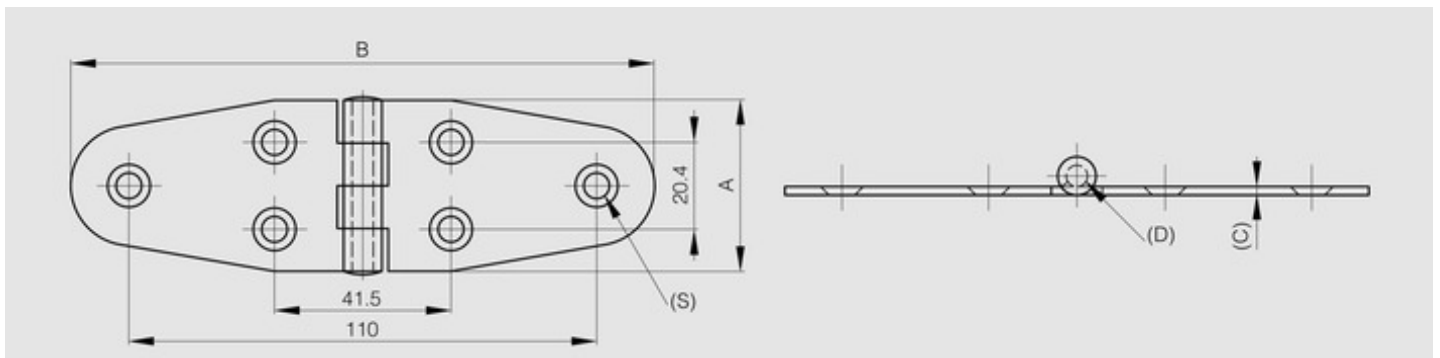


Hinge for marine applications - 40.1 x 137.3 mm

Model : 52-1-3953



Riveted pin.



Material	316 stainless steel
Finish	polished
A (length)	40.1
D (pin diameter)	5
B (width)	137.3
C	2
Weight (g)	80
Opening angle	270
S	6
Material	stainless steel
Functions	for marine applications