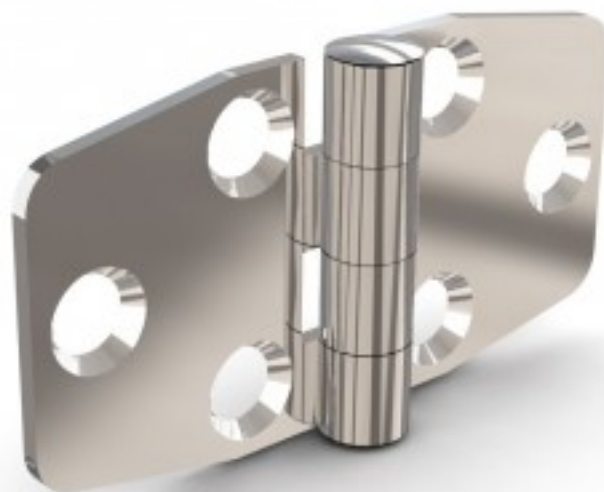
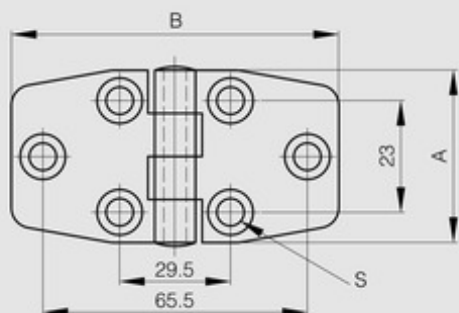


Hinge for marine applications - 36.5 x 76 mm

Model : 52-1-3944



Riveted pin.



Material	316 stainless steel
Finish	polished
A (length)	36.5
D (pin diameter)	4
B (width)	76
C	2
Weight (g)	50
Opening angle	270
S	6
Material	stainless steel
Functions	for marine applications