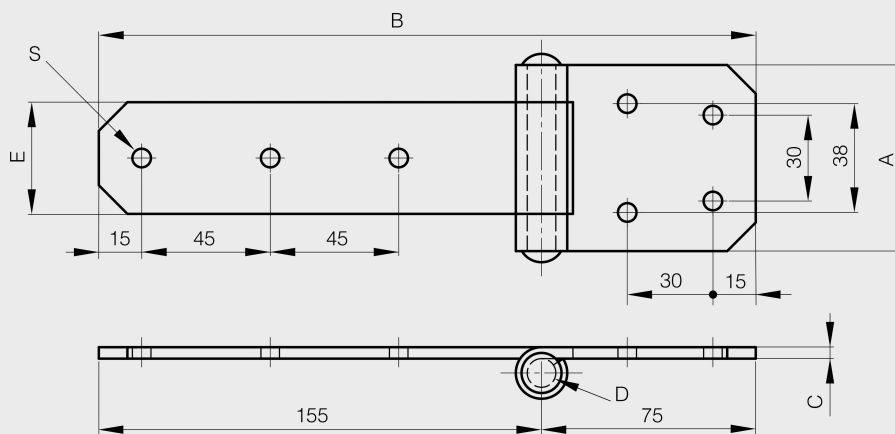


Heavy duty hinges - 65 x 230 mm

Model : 52-1-3593



Riveted pin.



Material	304 stainless steel
Finish	gloss
A (length)	65
B (width)	230
D (pin diameter)	10
C	4
E	39
Weight (g)	450
Opening angle	180
Note	undrilled
Material	stainless steel
Functions	heavy duty