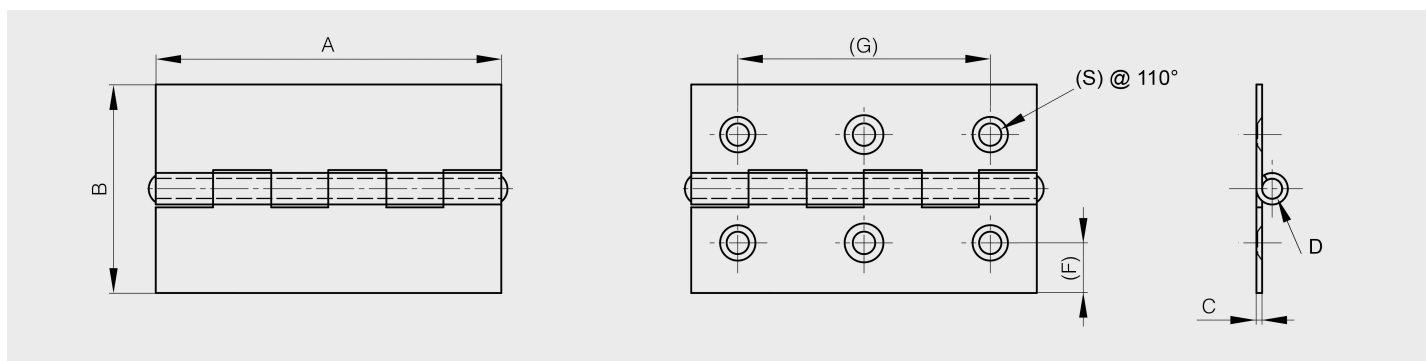


## Small hinges with 6 knuckles

Model : 50-7-3560



All hinges have headed pins except 50-7-3552, 50-7-3553, 50-7-3561.



Material	steel
Finish	raw
A (length)	60
B (width)	35
D (pin diameter)	3
C	1
Weight (g)	23
Opening angle	270
Note	undrilled / headed pin
Material	steel
Functions	free swing hinges