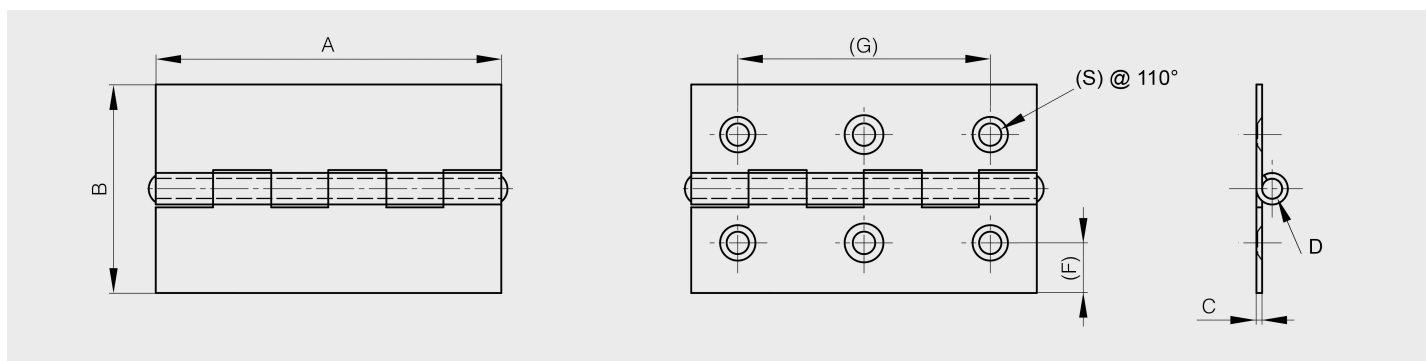


Small hinges with 6 knuckles

Model : 50-7-3552



All hinges have headed pins except 50-7-3552, 50-7-3553, 50-7-3561.



Material	steel
Finish	raw
A (length)	60
D (pin diameter)	3
B (width)	35
C	1
Weight (g)	22.5
G (pitch)	44
F (pitch)	8
Opening angle	270
Note	drilled
S	2.5
Material	steel
Functions	free swing hinges