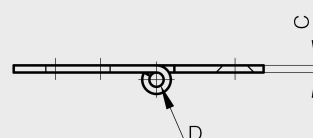
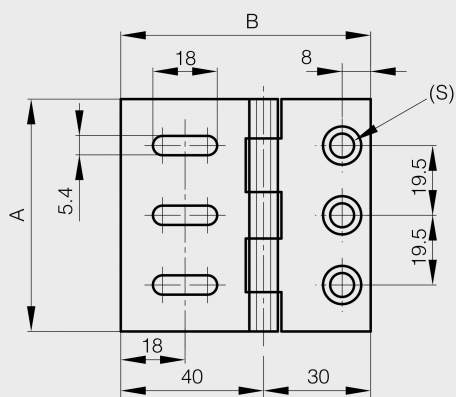


Hinge with oblong holes

Model : 50-1-3312



Material	steel
Finish	zinc plated
A (length)	65
B (width)	70
D (pin diameter)	4
C	2
Weight (g)	81
Opening angle	270
S	6.7
Material	steel
Functions	free swing hinges