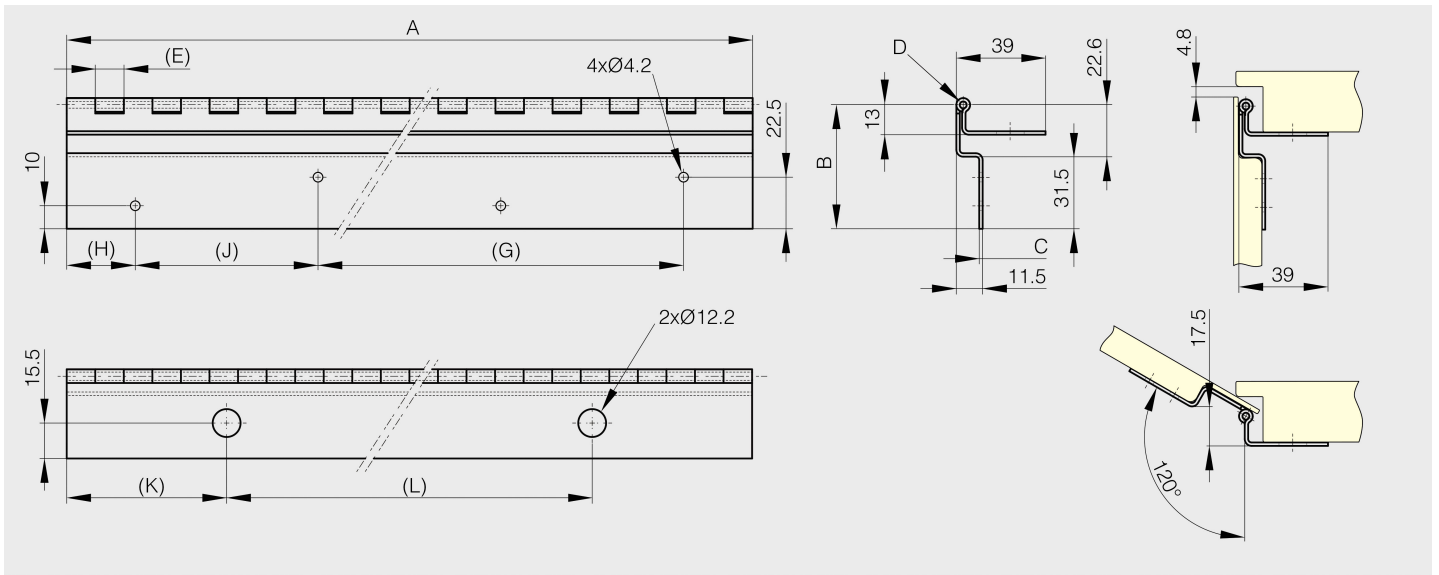


## Concealed hinges with two cranked leaves - drilled - 120° opening - version B

Model : 39-1-3892



Hinges for side door of baggage compartment (bus and coach, bodywork...)  
Use rivets for 4.2 diameter holes (door side).  
Use self-drilling screws for 12.2 diameter holes (frame side).



Material	304 stainless steel
Finish	raw
A (length)	600
B (width)	54.1
D (pin diameter)	3
C	1.5
E	12.5
Weight (g)	870
G (pitch)	260
J	130
H	40
Opening angle	120
K	60

L	160
Material	stainless steel
Functions	concealed