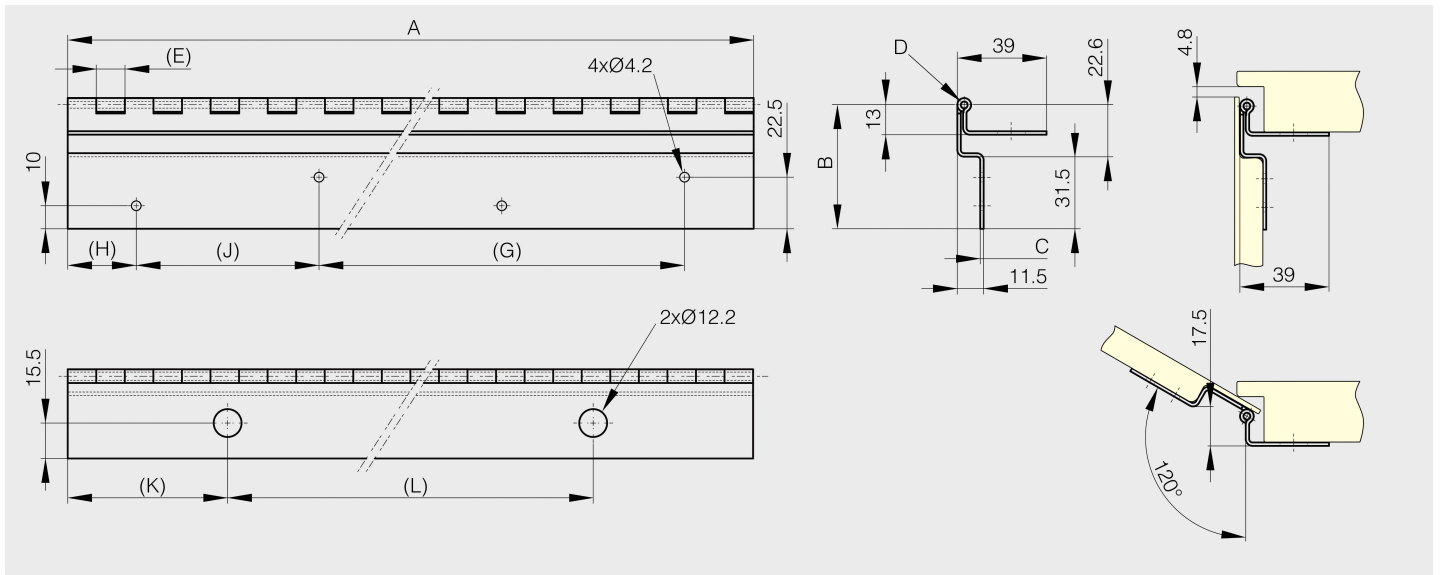


Concealed hinges with two cranked leaves - drilled - 120° opening - version B

Model : 39-1-3890



Hinges for side door of baggage compartment (bus and coach, bodywork...)
Use rivets for 4.2 diameter holes (door side).
Use self-drilling screws for 12.2 diameter holes (frame side).



Material	304 stainless steel
Finish	raw
A (length)	300
D (pin diameter)	3
B (width)	54.1
C	1.5
Weight (g)	430
E	12.5
G (pitch)	160
J	80
H	30
Opening angle	120
K	70

L	160
Material	stainless steel
Functions	concealed