

Mini compression latch - lift and turn

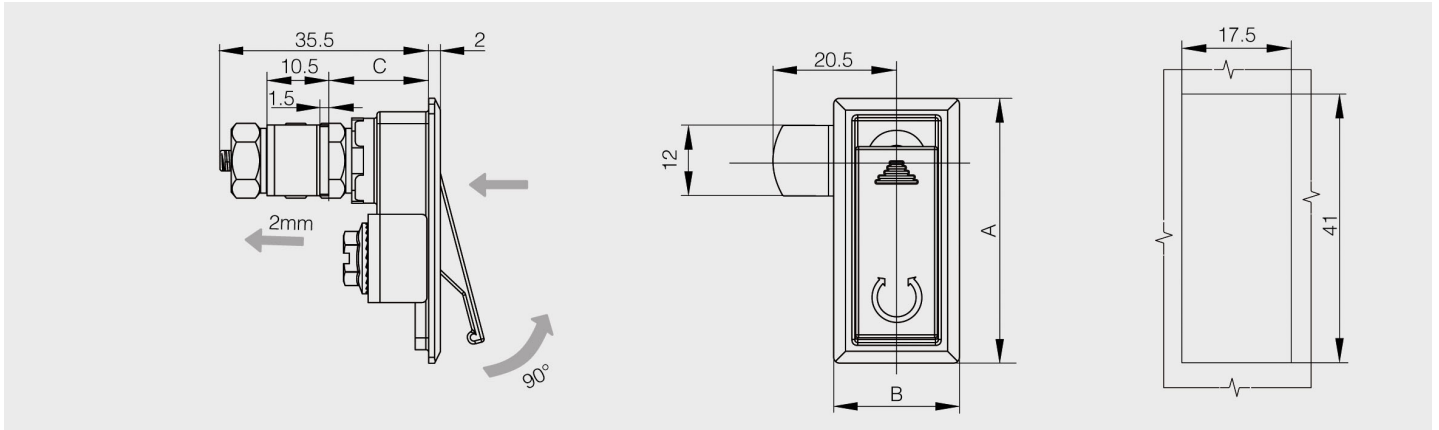
Model : 16-1-9019



Dimension C adjustable with the nut.

Easy and fast unlocking.

Body in zinc-die, bracket and cam in zinc plated steel.



Material	zinc die-cast
Finish	black
A (length)	45
B (width)	21.4
C	14-20
Weight (g)	50
Opening type	swinging
Locking option	compression latches
Material	zinc die-cast
Latching system	compression latches