

## Clip'n Turn - Clip-on quarter turn with wing head

Model : 16-1-8003



This part number includes a body (POM) and a clip (PA).

3 cam heights available. Straight cam for heights  $H=18$  and  $H=25$  (as shown on the drawing).

Cranked cam for height  $H=13.5$ .

Product in white color: on demand.

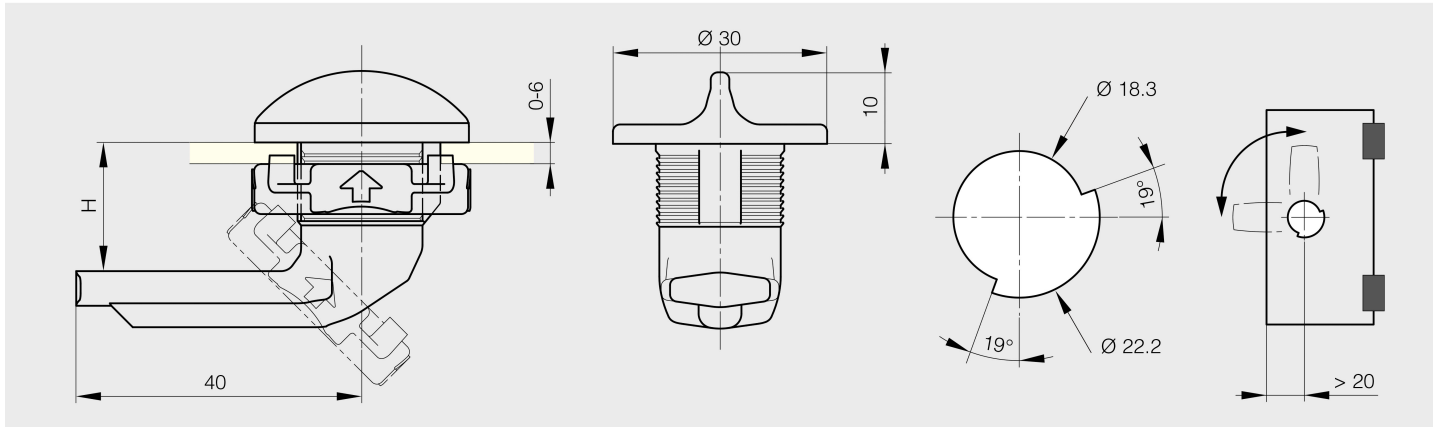
This quarter turn can be mounted on door thicknesses up to:

- 4mm with part numbers 16-1-8001, 16-1-8003 and 16-1-8008.

- 6mm with part number 16-1-8005.

Clip can be ordered separately with part number 16-1-8007 (dimension 36x30mm).

Patented.



Material	POM / PA
Finish	black
Weight (g)	14
Opening type	swinging
H	18
Locking option	without key
Material	plastic
Latching system	cam latches