

## Lift-off hinges 80 x 80 mm - stainless steel with 6 holes

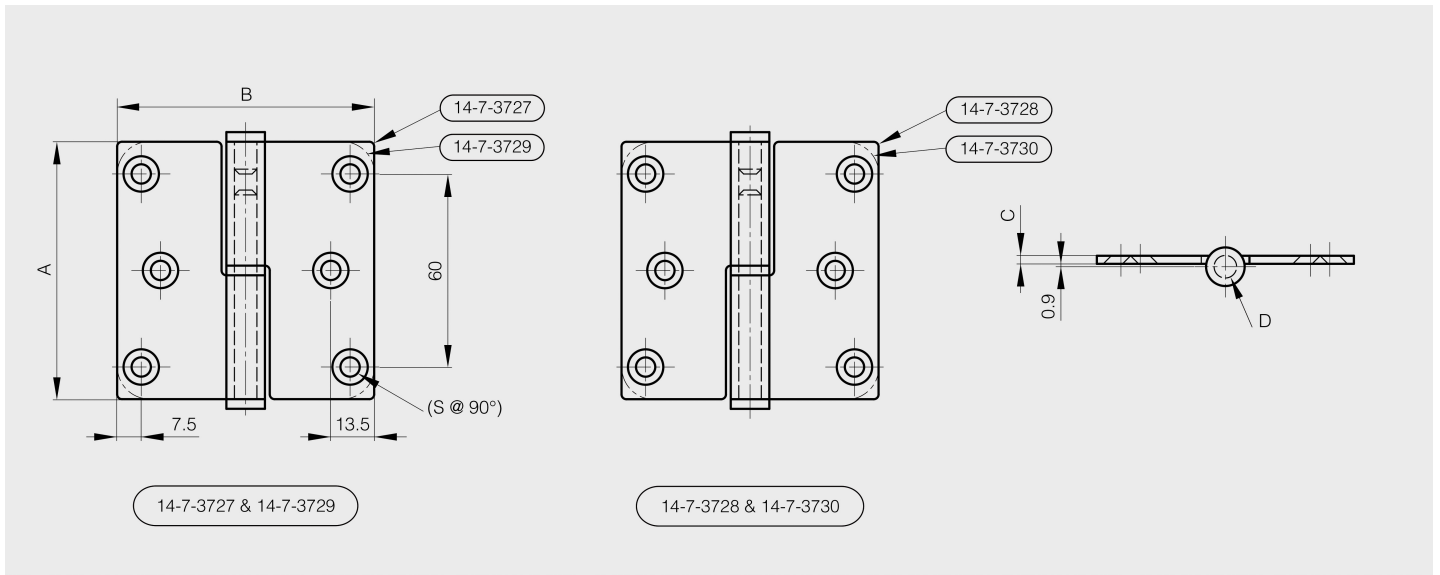
Model : 14-7-3730



2 shapes available:

- Shape with square ends (14-7-3727 and 14-7-3728).
- Shape with round ends (14-7-3729 and 14-7-3730).

Only the visible side has a brushed finish.



Material	304 stainless steel
Finish	brushed
A (length)	80
D (pin diameter)	7
B (width)	80
C	2.5
Weight (g)	175
Opening angle	270
Note	type 2 / round corners
S	5.2
Material	stainless steel
Functions	lift-off hinges