

Lift-off hinges 80 x 80 mm - stainless steel with 6 holes

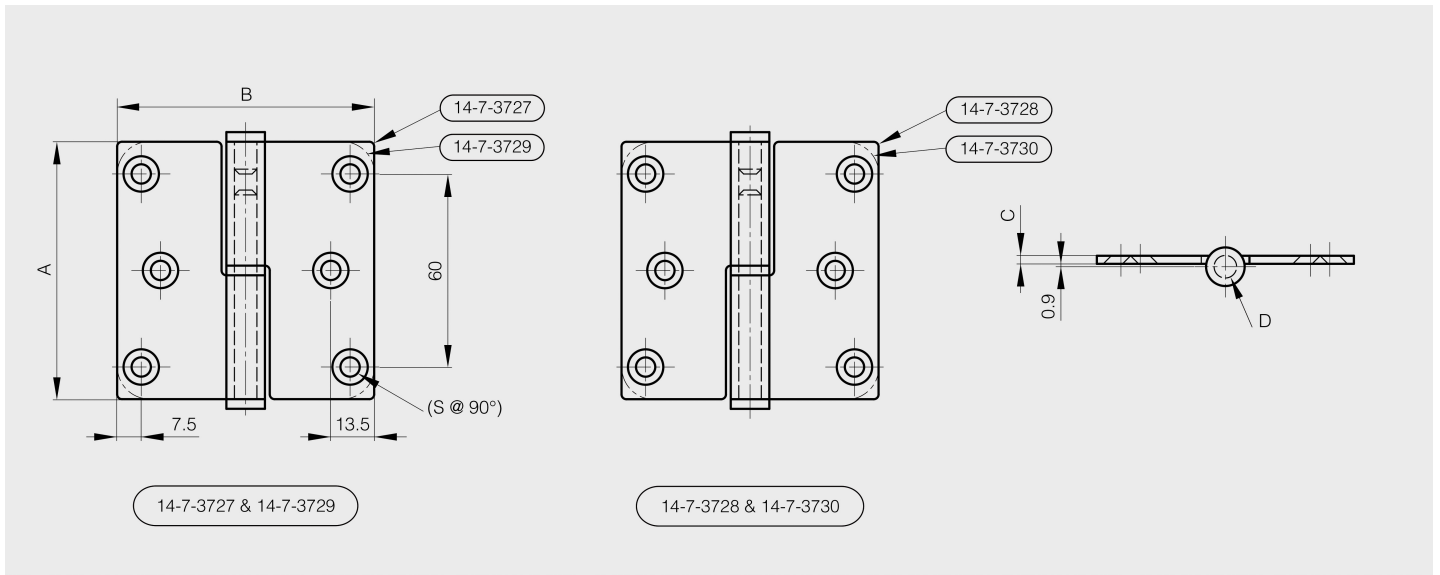
Model : 14-7-3728



2 shapes available:

- Shape with square ends (14-7-3727 and 14-7-3728).
- Shape with round ends (14-7-3729 and 14-7-3730).

Only the visible side has a brushed finish.



| | |
|------------------|-------------------------|
| Material | 304 stainless steel |
| Finish | brushed |
| A (length) | 80 |
| D (pin diameter) | 7 |
| B (width) | 80 |
| C | 2.5 |
| Weight (g) | 175 |
| Opening angle | 270 |
| Note | type 2 / square corners |
| S | 5.2 |
| Material | stainless steel |
| Functions | lift-off hinges |