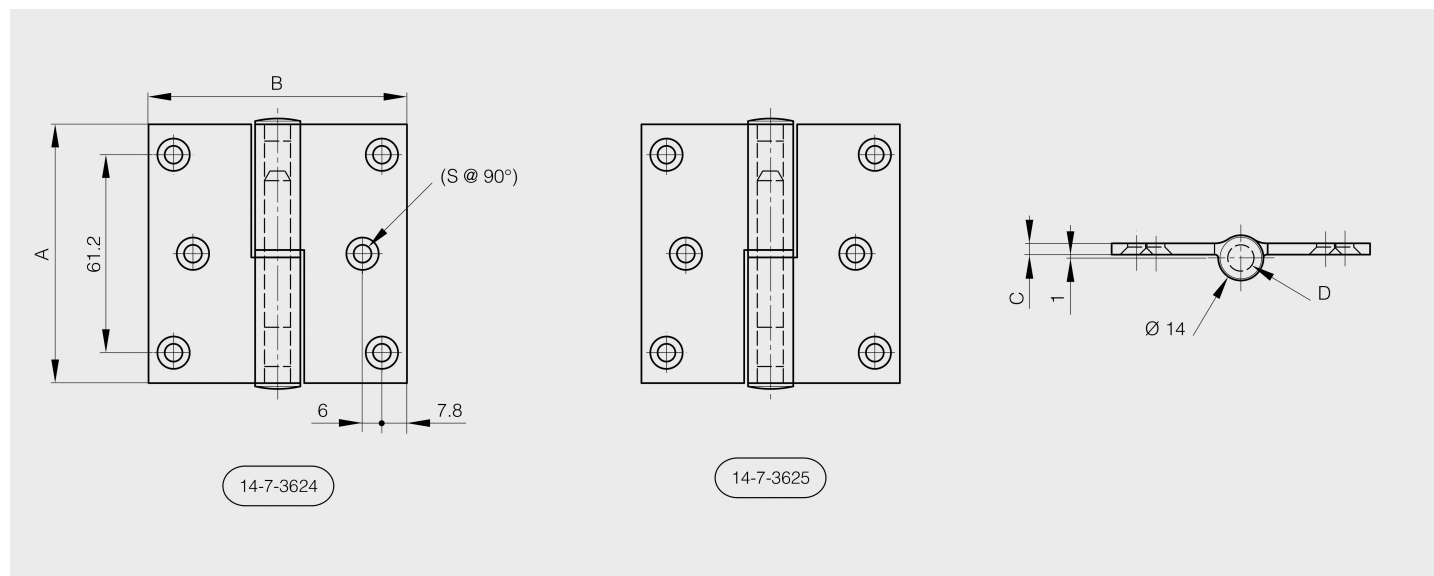


Aluminium lift-off hinges 80 x 80 mm

Model : 14-7-3625



Zinc plated steel pin.
Nylon bushing.



Material	aluminium
Finish	anodised silver
A (length)	80
D (pin diameter)	8
B (width)	80
C	3.5
Weight (g)	85
Opening angle	270
Note	type 2
S	5.5
Material	aluminium
Functions	lift-off hinges