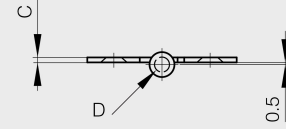
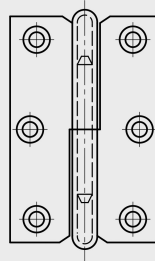
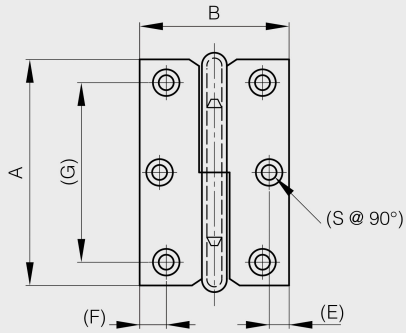


Lift-off hinges 60 to 80 mm long

Model : 14-7-3400





14-7-3396 & 14-7-3398 & 14-7-3400

14-7-3397 & 14-7-3399 & 14-7-3401

| | |
|------------------|---------------|
| Material | steel |
| Finish | nickel plated |
| A (length) | 80 |
| B (width) | 50 |
| D (pin diameter) | 5 |
| C | 1.5 |
| Weight (g) | 59 |
| E | 7.2 |
| G (pitch) | 62 |
| F (pitch) | 9.2 |
| Opening angle | 270 |
| Note | type 1 |
| S | 4 |

| | |
|-----------|-----------------|
| Material | steel |
| Functions | lift-off hinges |