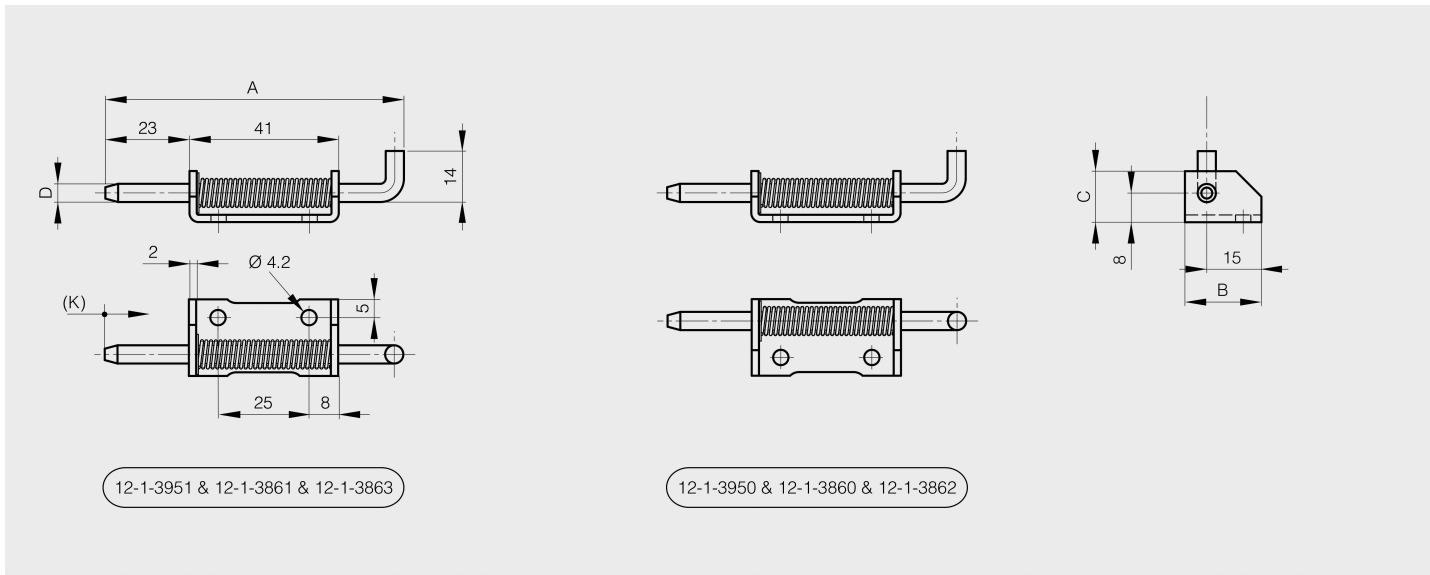


Concealed springloaded pin hinges B

Model : 12-1-3863



Stainless steel spring. Hinges in raw steel and zinc plated steel with a zinc plated pin.
Circlip in 1.4122 stainless steel.



Material	304 stainless steel
Finish	raw
A (length)	82
D (pin diameter)	5
B (width)	21
C	14
Weight (g)	38.5
Opening type	swinging
Locking option	spring loaded
Opening angle	270
K	12
Note	type 1
Material	stainless steel

Functions	concealed
Latching system	sliding latches