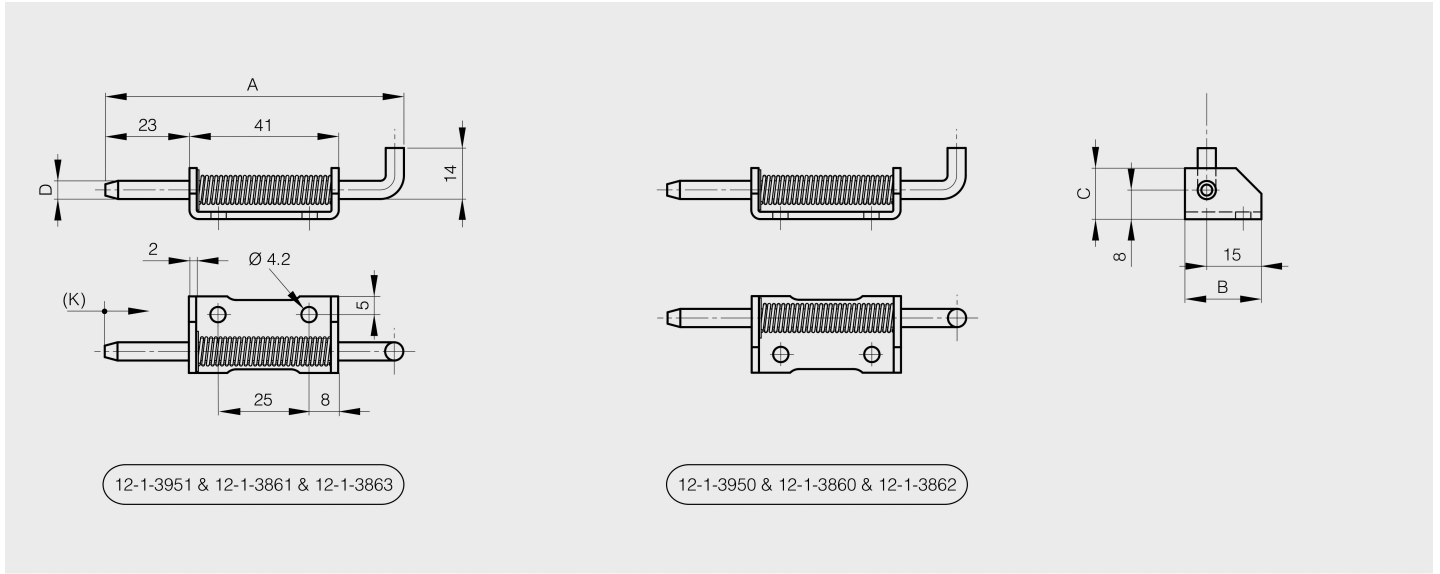


Concealed springloaded pin hinges B

Model : 12-1-3861



Stainless steel spring. Hinges in raw steel and zinc plated steel with a zinc plated pin.
Circlip in 1.4122 stainless steel.



Material	steel
Finish	zinc plated
A (length)	82
B (width)	21
D (pin diameter)	5
C	14
Weight (g)	38.5
Opening type	swinging
Locking option	spring loaded
Opening angle	270
Note	type 1
K	12
Material	steel

Functions	concealed
Latching system	sliding latches