



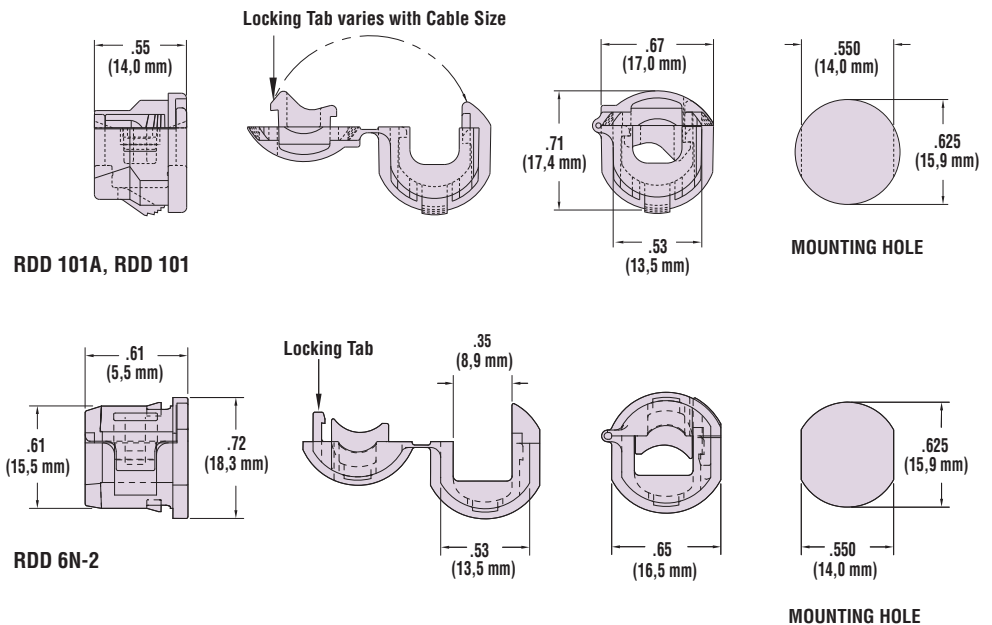
Heyco® RDD Lockit™ Strain Relief Bushings – Straight-Thru

Snap onto **Round Cables** for Faster Assembly into **Double D Mounting Holes** – *Semi-Automatic Equipment Available*

- **Assembly friendly!** Independent of insertion into the panel, RDD Lockit™ Strain Reliefs **self-lock** onto the cable. Preassemble RDD Lockits off line for final assembly at a later time or remote location, for lower installed cost!
- Install easily with fingertip pressure into a standard round or Double D hole. No tools required, even for hand assembly.
- Protect the lifeline of your electric/electronic products by absorbing the forces of push and pull that may be exerted on the flexible power cord. Double D design eliminates the possibility of part rotation under forces of twist.
- Multiple panel locking steps secure Lockit Strain Reliefs into a wide range of panel thicknesses for a **flush, finished fit**.
- Heyco’s automated Pre-Assembly Equipment speeds assembly of the RDD onto the cable and thus lowers costs while greatly reducing risk of carpal tunnel syndrome. See pages 4-15 & 4-16.
- Consult Heyco for other wire types and sizes.
- See page 4-38 for corresponding **Mounting Hole Plugs** which can be used to fill blank/unused Mounting Holes and thus allow for a single panel design for multiple applications.
- For Double D Mounting Hole Punches, see page 4-30.

WILL FIT THESE CABLES UL Type	AWG/ Conductors	Approximate Size		PANEL DIMENSIONS Mounting Hole Size		Thickness		RDD LOCKIT STRAIN RELIEF for Faster Assembly			Corresponding Mounting Hole Plug	
		in.	mm.	in.	mm.	in.	mm.	PART NO. Black	PART NO. White	DESC.	PART NO.	DESC.
AWN SJTO & SJ	18/3	.130- .210	3,3- 5,3	.625 w/ .550 flats	15,9 w/ 14,0 flats	.032	0,8	1870	1871	RDD 101-A	2497	DD 625-550
						.040	1,1					
						.048	1,2					
						.063	1,6					
						.099	2,5					
See table on page 4-10	various	.220- .290	5,6- 7,4	.625 w/ .550 flats	15,9 w/ 14,0 flats	.032	0,8	1852	1853	RDD 101	2497	DD 625-550
						.040	1,1					
						.048	1,2					
						.063	1,6					
						.099	2,5					
SJT SJO	18/3	.300- .330	7,6- 8,4	.625 w/ .550 flats	15,9 w/ 14,0 flats	.062	1,6	1800	1801	RDD 6N-2	2497	DD 625-550

Standard color black. Consult Heyco for white and other colors.



Quick
Specs

Material Nylon 6/6
 Certifications Recognized under UL File E15331
 Certified by the Canadian Standards Association File 8919
 Flammability Rating 94V-2
 Temperature Range -.04°F (-18°C) to 221°F (105°C)

Heyco® RDD Lockit™ Strain Relief Bushings – Straight-Thru

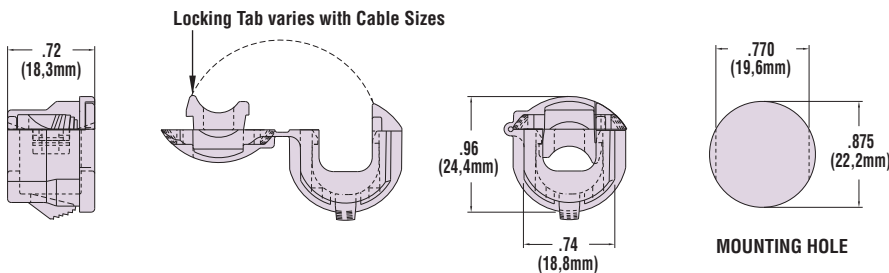
Snap onto **Round Cables** for Faster Assembly into **Double D Mounting Holes** –
Semi-Automatic Equipment Available
 Fit 1/2" Electrical Knock-out Hole

WILL FIT THESE CABLES				PANEL DIMENSIONS				RDD LOCKIT STRAIN RELIEF for Faster Assembly			Corresponding Mounting Hole Plug	
UL Type	AWG/ Conductors	Approximate Size		Mounting Hole Size		Thickness		Black	White	DESC.	PART NO.	DESC.
		in.	mm.	in.	mm.	in.	mm.					
See table on page 4-10	various	.290- .385	7,4- 9,8	.875 w/ .770 flats	22,2 w/ 19,6 flats	.032	0,8	1857	1858	RDD 201	2509	DD 875-770
						.063	1,6					
						.099	2,5					
						.126	3,2					
						.157	4,0					
Same as RDD 201 above except →						.078	2,0	1855	1856	RDD 201-2*	2509	DD 875-770
						.140	3,4					
See table on page 4-10	various	.340- .430	8,6- 10,9	.875 w/ .770 flats	22,2 w/ 19,6 flats	.032	0,8	1861	1862	RDD 301	2509	DD 875-770
						.063	1,6					
						.099	2,5					
						.126	3,2					
						.157	4,0					
Same as RDD 301 above except →						.078	2,0	1859	1860	RDD 301-2*	2509	DD 875-770
						.140	3,4					
See table on page 4-10	various	.420- .450	10,7- 11,4	.875 w/ .770 flats	22,2 w/ 19,6 flats	.032	0,8	1865	1866	RDD 401	2509	DD 875-770
						.063	1,6					
						.099	2,5					
						.126	3,2					
						.157	4,0					
Same as RDD 401 above except →						.078	2,0	1882	1883	RDD 401-2*	2509	DD 875-770
						.140	3,4					

Standard color black. Consult Heyco for white and other colors.
 *Designed for cast or other mounting holes with rounded edges.



- **Assembly friendly!** Independent of insertion into the panel, RDD Lockit™ Strain Reliefs **self-lock** onto the cable. Preassemble RDD Lockits off line for final assembly at a later time or remote location, for lower installed cost!
- Install easily with fingertip pressure into a standard round or Double D hole. No tools required, even for hand assembly.
- Protect the lifeline of your electric/electronic products by absorbing the forces of push and pull that may be exerted on the flexible power cord. Double D design eliminates the possibility of part rotation under forces of twist.
- Multiple panel locking steps secure Lockit Strain Reliefs into a wide range of panel thicknesses for a **flush, finished fit**.
- Heyco's automated Pre-Assembly Equipment speeds assembly of the RDD onto the cable and thus lowers costs while greatly reducing risk of carpal tunnel syndrome. See pages 4-15 & 4-16.
- Consult Heyco for other wire types and sizes.
- See page 4-38 for corresponding **Mounting Hole Plugs** which can be used to fill blank/unused Mounting Holes and thus allow for a single panel design for multiple applications.
- For Double D Mounting Hole Punches, see page 4-30.



RDD 201, RDD 201-2, RDD 301, RDD 301-2, RDD 401, RDD 401-2

Material	Nylon 6/6
Certifications	Recognized under UL File E15331 Certified by the Canadian Standards Association File 8919
Flammability Rating	94V-2
Temperature Range	-.04°F (-18°C) to 221°F (105°C)

Quick Specs



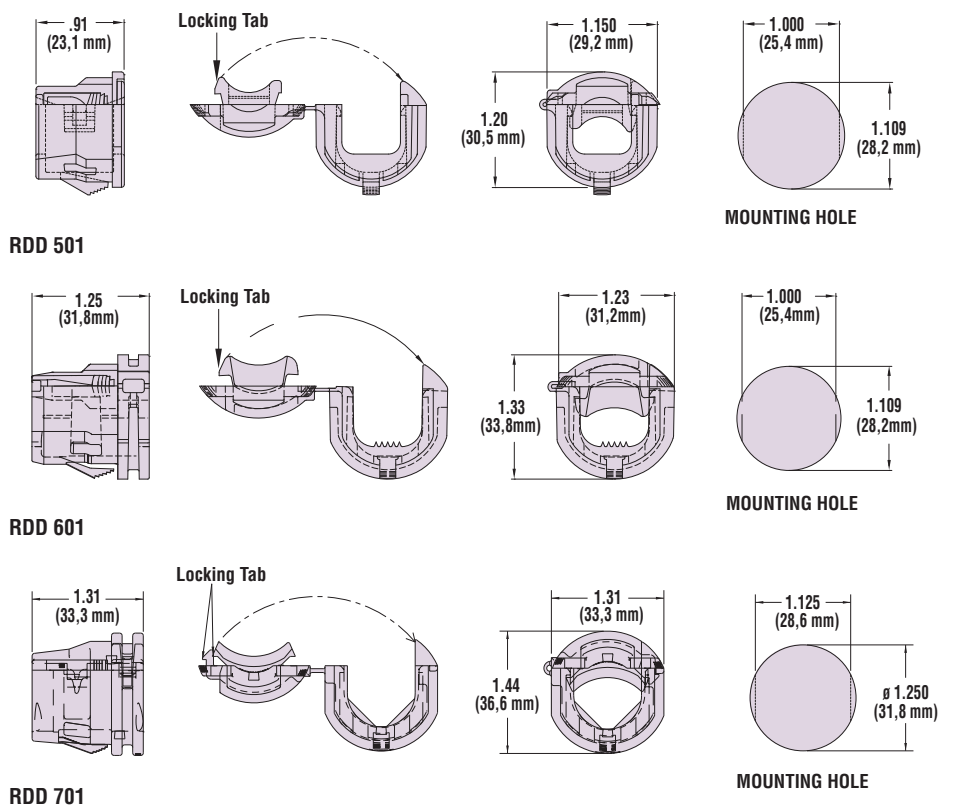
Heyco® RDD Lockit™ Strain Relief Bushings – Straight-Thru

Snap onto **Round Cables** for Faster Assembly into **Double D Mounting Holes** – *Semi-Automatic Equipment Available*
 Fit 3/4" Electrical Knock-out Hole

- **Assembly friendly!** Independent of insertion into the panel, RDD Lockit™ Strain Reliefs **self-lock** onto the cable. Preassemble RDD Lockits off line for final assembly at a later time or remote location, for lower installed cost!
- Install easily with fingertip pressure into a standard round or Double D hole. No tools required, even for hand assembly.
- Protect the lifeline of your electric/electronic products by absorbing the forces of push and pull that may be exerted on the flexible power cord. Double D design eliminates the possibility of part rotation under forces of twist.
- Multiple panel locking steps secure Lockit Strain Reliefs into a wide range of panel thicknesses for a **flush, finished fit**.
- Heyco's automated Pre-Assembly Equipment speeds assembly of the RDD onto the cable and thus lowers costs while greatly reducing risk of carpal tunnel syndrome. See pages 4-15 & 4-16.
- Consult Heyco for other wire types and sizes.
- See page 4-38 for corresponding **Mounting Hole Plugs** which can be used to fill blank/unused Mounting Holes and thus allow for a single panel design for multiple applications.
- For Double D Mounting Hole Punches, see page 4-30.

WILL FIT THESE CABLES			PANEL DIMENSIONS				RDD LOCKIT STRAIN RELIEF for Faster Assembly			Corresponding Mounting Hole Plug		
UL Type	AWG/ Conductors	Approximate Size		Mounting Hole Size		Thickness		PART NO.	DESC.	PART NO.	DESC.	
		in.	mm.	in.	mm.	in.	mm.					
See table on page 4-10	various	.525-.600	13.5-15.2	1.109 w/ 1.000 flats	28.2 w/ 25.4 flats	.063	1.6	1868	1869	RDD 501	2717	DD 1109-1000
						.099	2.5					
						.126	3.2					
						.157	4.0					
						.187	4.8					
See table on page 4-10	various	.600-.700	15.2-17.8	1.109 w/ 1.000 flats	28.2 w/ 25.4 flats	.063	1.6	1802	1803	RDD 601		
						.099	2.5					
						.126	3.2					
						.157	4.0					
						.187	4.8					
See table on page 4-10	various	.720-.830	18.3-21.1	1.250 w/ 1.125 flats	31.8 w/ 28.6 flats	.063	1.6	1880	1881	RDD 701	-	consult Heyco
						.099	2.5					
						.126	3.2					
						.157	4.0					
						.187	4.8					

Standard color black. Consult Heyco for white and other colors.



Quick Specs

Material	Nylon 6/6
Certifications	Recognized under UL File E15331
Flammability Rating	94V-2
Temperature Range	-04°F (-18°C) to 221°F (105°C)