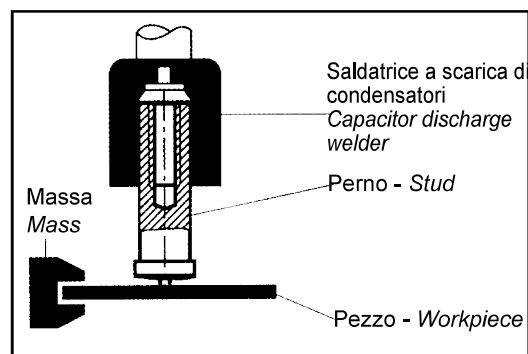


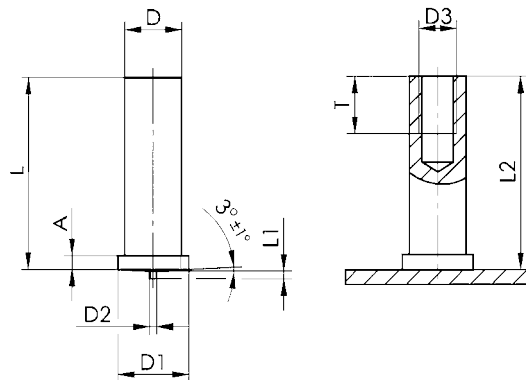
**BUSSOLE FILETTATE A SALDARE A SCARICA DI CONDENSATORI**  
 CAPACITOR DISCHARGE STUDS WITH INTERNAL THREAD  
 INNENGEWINDEBUCHSEN FÜR SPITZENZÜNDUNG  
 DOUILLES TARAUDÉES À SOUDER PAR DÉCHARGE DE CONDENSATEURS  
 PERNOS CON ROSCA INTERIOR PARA SOLDAR CON DESCARGA

DIN EN ISO 13918

IT



PRIMA DELLA SALDATURA  
 BEFORE WELDING  
 VOR DEM SCHWEISSEN  
 AVANT SOUDAGE  
 ANTES DE SOLDAR



DOPO LA SALDATURA  
 AFTER WELDING  
 NACH DEM SCHWEISSEN  
 APRÈS SOUDAGE  
 DESPUES DE SOLDAR

D ± 0,1	L + 0,3	D1 ± 0,2	D2 ± 0,08	L1 ± 0,05	A	D3	T + 0,5	L2
ø5	vedi pag. 7 see page 7	6,5	0,75	0,80	1,4-0,7	M3	5	L-0,3
ø6		7,5				M4	6	
ø7,1		9		0,85	1,4-0,6	M5	7,5	
* ø8						M6		
* ø10,8		11,6 ±0,1		1,8-0,6	M8	10		

\* ø8 - \* ø10 FIXI STANDARD

<b>ACCIAIO 4.8 RAMATO</b> STEEL 4.8 COPPER PLATED STAHL 4.8 VERKUPFERT ACIER 4.8 CUIVRE ACERO 4.8 COBREADO			<b>ACCIAIO INOX</b> STAINLESS STEEL ROSTFREIER STAHL INOX INOX			<b>ALLUMINIO AIMg3</b> ALUMINIUM AIMg3 ALUMINIUM AIMg3 ALUMINIUM AIMg3 ALUMINIO AIMg3			<b>OTTONE CuZn37</b> BRASS CuZn37 MESSING CuZn37 LAITON CuZn37 LATÓN CuZn37		
Filetto Thread Size	Lunghezza Length	Codice Code	Filetto Thread Size	Lunghezza Length	Codice Code	Filetto Thread Size	Lunghezza Length	Codice Code	Filetto Thread Size	Lunghezza Length	Codice Code
M3	6	03ARBU3506	M3	6	03IXBU3506	M3	6	03ALBU3506	M3	6	03OTBU3506
	8	03ARBU3508		8	03IXBU3508		8	03ALBU3508		8	03OTBU3508
	10	03ARBU3510		10	03IXBU3510		10	03ALBU3510		10	03OTBU3510
	12	03ARBU3512		12	03IXBU3512		12	03ALBU3512		12	03OTBU3512
	15	03ARBU3515		15	03IXBU3515		15	03ALBU3515		15	03OTBU3515
	16	03ARBU3516		16	03IXBU3516		16	03ALBU3516		16	03OTBU3516
	20	03ARBU3520		20	03IXBU3520		20	03ALBU3520		20	03OTBU3520
	25	03ARBU3525		25	03IXBU3525		25	03ALBU3525		25	03OTBU3525
	30	03ARBU3530		30	03IXBU3530		30	03ALBU3530		30	03OTBU3530
M4	8	03ARBU4608	M4	8	03IXBU4608	M4	8	03ALBU4608	M4	8	03OTBU4608
	10	03ARBU4610		10	03IXBU4610		10	03ALBU4610		10	03OTBU4610
	12	03ARBU4612		12	03IXBU4612		12	03ALBU4612		12	03OTBU4612
	15	03ARBU4615		15	03IXBU4615		15	03ALBU4615		15	03OTBU4615
	16	03ARBU4616		16	03IXBU4616		16	03ALBU4616		16	03OTBU4616
	20	03ARBU4620		20	03IXBU4620		20	03ALBU4620		20	03OTBU4620
	25	03ARBU4625		25	03IXBU4625		25	03ALBU4625		25	03OTBU4625
	30	03ARBU4630		30	03IXBU4630		30	03ALBU4630		30	03OTBU4630
	35	03ARBU4635		35	03IXBU4635		35	03ALBU4635		35	03OTBU4635
	40	03ARBU4640		40	03IXBU4640		40	03ALBU4640		40	03OTBU4640
M5	10	03ARBU5710	M5	10	03IXBU5710	M5	10	03ALBU5710	M5	10	03OTBU5710
	12	03ARBU5712		12	03IXBU5712		12	03ALBU5712		12	03OTBU5712
	15	03ARBU5715		15	03IXBU5715		15	03ALBU5715		15	03OTBU5715
	16	03ARBU5716		16	03IXBU5716		16	03ALBU5716		16	03OTBU5716
	20	03ARBU5720		20	03IXBU5720		20	03ALBU5720		20	03OTBU5720
	25	03ARBU5725		25	03IXBU5725		25	03ALBU5725		25	03OTBU5725
	30	03ARBU5730		30	03IXBU5730		30	03ALBU5730		30	03OTBU5730
	35	03ARBU5735		35	03IXBU5735		35	03ALBU5735		35	03OTBU5735
	40	03ARBU5740		40	03IXBU5740		40	03ALBU5740		40	03OTBU5740
M6	10	03ARBU6810	M6	10	03IXBU6810	M6	10	03ALBU6810	M6	10	03OTBU6810
	12	03ARBU6812		12	03IXBU6812		12	03ALBU6812		12	03OTBU6812
	15	03ARBU6815		15	03IXBU6815		15	03ALBU6815		15	03OTBU6815
	16	03ARBU6816		16	03IXBU6816		16	03ALBU6816		16	03OTBU6816
	20	03ARBU6820		20	03IXBU6820		20	03ALBU6820		20	03OTBU6820
	25	03ARBU6825		25	03IXBU6825		25	03ALBU6825		25	03OTBU6825
	30	03ARBU6830		30	03IXBU6830		30	03ALBU6830		30	03OTBU6830
	35	03ARBU6835		35	03IXBU6835		35	03ALBU6835		35	03OTBU6835
	40	03ARBU6840		40	03IXBU6840		40	03ALBU6840		40	03OTBU6840
M8	15	03ARBU81015	M8	15	03IXBU81015	M8	15	03ALBU81015	M8	15	03OTBU81015
	16	03ARBU81016		16	03IXBU81016		16	03ALBU81016		16	03OTBU81016
	20	03ARBU81020		20	03IXBU81020		20	03ALBU81020		20	03OTBU81020
	25	03ARBU81025		25	03IXBU81025		25	03ALBU81025		25	03OTBU81025
	30	03ARBU81030		30	03IXBU81030		30	03ALBU81030		30	03OTBU81030
	35	03ARBU81035		35	03IXBU81035		35	03ALBU81035		35	03OTBU81035
	40	03ARBU81040		40	03IXBU81040		40	03ALBU81040		40	03OTBU81040