

Boccole Filettate a Saldare
Threaded Bush to be welded

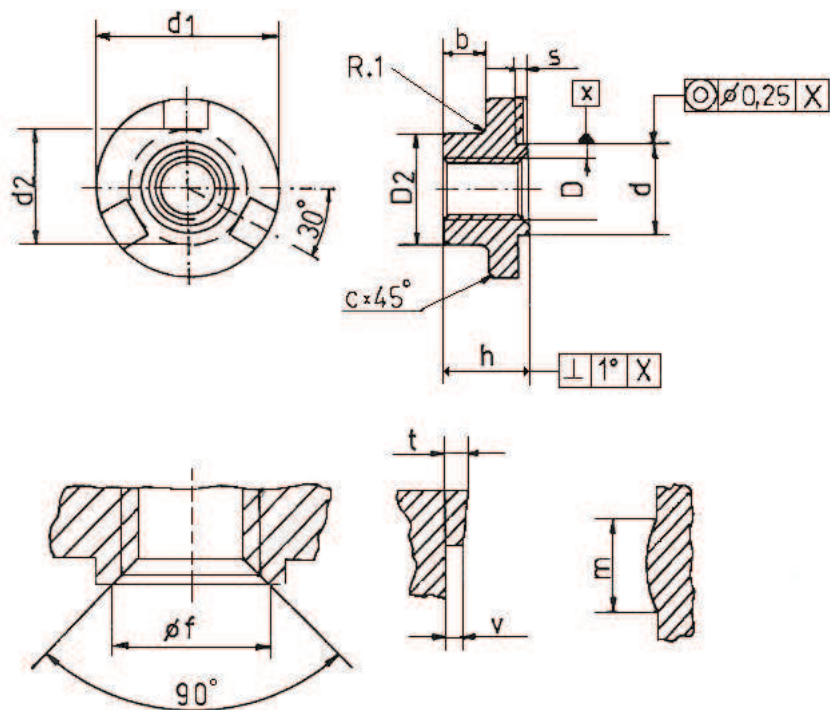


TABELLA 10165 Boccole Filettate a Saldare – tipo A – Materiale CL8

D 6H	d h11	D2 h13	d1 h13	d2 ±0.2	h	s ±0.1	b +0 -0.3	c	t +0.1 -0	v +0 -0.1	m	f +0.5	Dis. FIAT
M6	8	12	16	12	6	1.4	2	1	0.9	0.8	4.5	7	1/36953
M8	11	14	22	14	9.5	1	5	0.5	0.6	0.5	5	9	1/36956
M8	11	14	22	14	10	1.4	5	0.5	0.6	0.8	5	9	1/36955
M8	11	14	22	14	17	1	12	0.5	0.6	0.5	5	9	1/36957
M10x1.25	13	16	24	16.5	12	1	5.5	1	0.6	0.5	6	11	1/36960
7/16-20UNF	13.5	17	28	20.5	12	1	7	1	0.6	0.5	6	12	1/36954
M8	11	14	22	14	17	1	12	0.5	0.6	0.5	5	9	1/05529

• Materiale: classe 8-10

• Material: class 8-10

• Werkstoff: Klass 8-10