

Knobs with solid section

with retaining chain, technopolymer

MATERIAL

Glass-fibre reinforced polyamide based (PA) technopolymer, black colour, matte finish.

Elastic retaining ring in acetal based technopolymer (POM), black colour.

RETAINING CHAIN

Ball cable and coupling heads in acetal resin based (POM) technopolymer, black colour.

NERINOX treated stainless steel ring with two coils.

Head fastening by means of a self-tapping screw $\varnothing 4.8$ mm UNI EN ISO 7050 or a M5 countersunk-head screw UNI EN ISO 10642.

STANDARD EXECUTIONS

- **VTT-B-LP**: brass boss, threaded blind hole.
- **VTT-SST-LP**: AISI 304 stainless steel boss, threaded blind hole.
- **VTT-p-LP**: zinc-plated steel threaded stud, chamfered flat end according to UNI 947 : ISO 4753 (see Technical Data on page).
- **VTT-SST-p-LP**: AISI 304 stainless steel threaded stud, chamfered flat end according to UNI 947 : ISO 4753 (see Technical Data on page).

FEATURES AND APPLICATIONS

Suitable where it is necessary to prevent the loss of the knob.

The elastic retaining ring, housed in the groove of the knob can turn freely. The coiled ring connects the elastic retaining ring to the chain. The three-lobe shape with large recesses is particularly ergonomic also for smaller knobs, ensuring an effective grip even with work gloves.

The design without rear cavities, generally suitable for reducing thickness, prevents unhealthy residues from depositing, ensuring easy cleaning. Particularly suitable for applications on machines and equipment whose parts must be frequently cleaned by using water jets or steam.

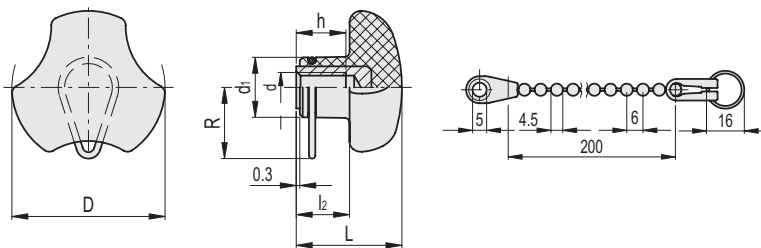
SPECIAL EXECUTIONS ON REQUEST

- Chain in different lengths.
- Knob with stainless steel cable GN 111 (see page), GN 111.2 (see page) and GN 111.4 (see page).



ELESA Original design

VTT-B-LP
VTT-SST-LP



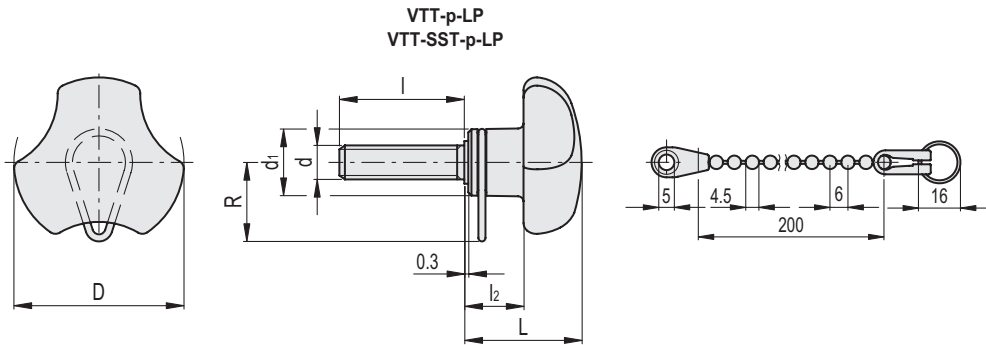
VTT-B-LP

Code	Description	D	d6H	L	d1	l2	h	R	⚖
168106	VTT.25-B-M5-LP	25	M5	20	12	10	10	20	12
168216	VTT.32-B-M6-LP	32	M6	23	14	11.5	10	21	22
168336	VTT.40-B-M8-LP	40	M8	27	16	13.5	13	21.5	26
168466	VTT.50-B-M10-LP	50	M10	30	19	15	17	22.5	39

VTT-SST-LP

STAINLESS STEEL

Code	Description	D	d6H	L	d1	l2	h	R	⚖
168116	VTT.25-SST-M5-LP	25	M5	20	12	10	10	20	12
168226	VTT.32-SST-M6-LP	32	M6	23	14	11.5	10	21	22
168346	VTT.40-SST-M8-LP	40	M8	27	16	13.5	13	21.5	27
168476	VTT.50-SST-M10-LP	50	M10	30	19	15	17	22.5	40



VTT-p-LP

Code	Description	D	d6g	L	d1	l	l2	R	⚖
168151	VTT.25-p-M5x10-LP	25	M5	20	12	10	10	20	10
168152	VTT.25-p-M5x16-LP	25	M5	20	12	16	10	20	12
168153	VTT.25-p-M5x20-LP	25	M5	20	12	20	10	20	14
168252	VTT.32-p-M6x16-LP	32	M6	23	14	16	11.5	21	17
168253	VTT.32-p-M6x20-LP	32	M6	23	14	20	11.5	21	19
168254	VTT.32-p-M6x25-LP	32	M6	23	14	25	11.5	21	21
168255	VTT.32-p-M6x30-LP	32	M6	23	14	30	11.5	21	23
168371	VTT.40-p-M8x20-LP	40	M8	27	16	20	13.5	21.5	26
168372	VTT.40-p-M8x25-LP	40	M8	27	16	25	13.5	21.5	30
168373	VTT.40-p-M8x30-LP	40	M8	27	16	30	13.5	21.5	34
168375	VTT.40-p-M8x40-LP	40	M8	27	16	40	13.5	21.5	38
168481	VTT.50-p-M10x20-LP	50	M10	30	19	20	15	22.5	54
168482	VTT.50-p-M10x25-LP	50	M10	30	19	25	15	22.5	59
168483	VTT.50-p-M10x30-LP	50	M10	30	19	30	15	22.5	64
168485	VTT.50-p-M10x40-LP	50	M10	30	19	40	15	22.5	69

VTT-SST-p-LP

STAINLESS STEEL

Code	Description	D	d6g	L	d1	l	l2	R	⚖
168161	VTT.25-SST-p-M5x10-LP	25	M5	20	12	10	10	20	10
168162	VTT.25-SST-p-M5x16-LP	25	M5	20	12	16	10	20	12
168163	VTT.25-SST-p-M5x20-LP	25	M5	20	12	20	10	20	14
168262	VTT.32-SST-p-M6x16-LP	32	M6	23	14	16	11.5	21	17
168263	VTT.32-SST-p-M6x20-LP	32	M6	23	14	20	11.5	21	19
168264	VTT.32-SST-p-M6x25-LP	32	M6	23	14	25	11.5	21	21
168381	VTT.40-SST-p-M8x20-LP	40	M8	27	16	20	13.5	21.5	26
168383	VTT.40-SST-p-M8x30-LP	40	M8	27	16	30	13.5	21.5	35
168385	VTT.40-SST-p-M8x40-LP	40	M8	27	16	40	13.5	21.5	39
168491	VTT.50-SST-p-M10x20-LP	50	M10	30	19	20	15	22.5	59
168493	VTT.50-SST-p-M10x30-LP	50	M10	30	19	30	15	22.5	64
168495	VTT.50-SST-p-M10x40-LP	50	M10	30	19	40	15	22.5	70



2

Clamping knobs