

Lobe knobs

Technopolymer

MATERIAL

Glass-fibre reinforced polyamide based (PA) technopolymer, black colour, matte finish.

CLOSING CAP

Polypropylene based (PP) technopolymer, orange or black colour, glossy finish with matte central surface, snap-in mounting.

STANDARD EXECUTIONS

- **VTL-B:** brass boss, threaded blind hole.
- **VTL-p:** zinc-plated steel threaded stud, chamfered flat end according to UNI 947: ISO 4753 (see Technical Data on page A11).

FEATURES AND APPLICATIONS

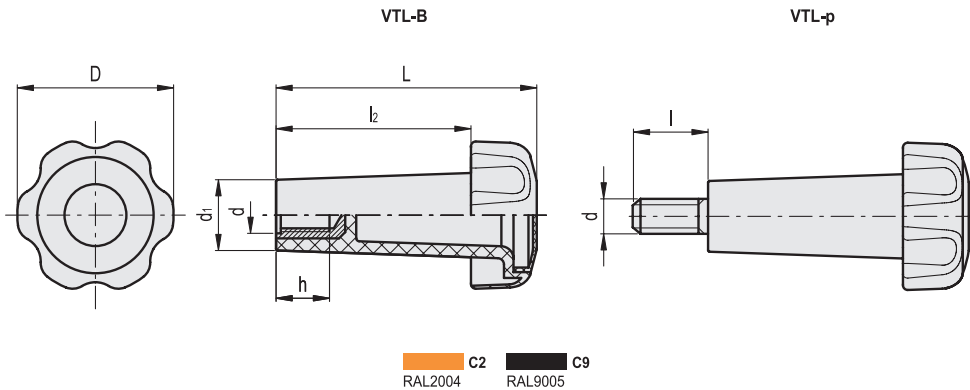
The long cone-shaped body of this knob is especially designed to clamp elements placed at a distance from the operator or in difficult to access places

SPECIAL EXECUTIONS ON REQUEST

On the surface of the closing cap words, marks, graphic symbols, etc... can be tampoprinted in colours.



FAMdesign



VTL-B

| Code | Description | D | d6H | L | d1 | l2 | h | ⚖️ |
|--------|--------------------|----|-----|----|------|----|----|----|
| 182222 | VTL.50/80 B-M10-C2 | 50 | M10 | 82 | 22.5 | 62 | 17 | 48 |
| 182223 | VTL.50/80 B-M10-C9 | 50 | M10 | 82 | 22.5 | 62 | 17 | 48 |

VTL-p

| Code | Description | D | d6g | L | d1 | l | l2 | ⚖️ |
|--------|-----------------------|----|-----|----|------|----|----|----|
| 182232 | VTL.50/80 p-M10x20-C2 | 50 | M10 | 82 | 22.5 | 20 | 62 | 60 |
| 182233 | VTL.50/80 p-M10x20-C9 | 50 | M10 | 82 | 22.5 | 20 | 62 | 60 |
| 182238 | VTL.50/80 p-M10x50-C2 | 50 | M10 | 82 | 22.5 | 50 | 62 | 75 |
| 182239 | VTL.50/80 p-M10x50-C9 | 50 | M10 | 82 | 22.5 | 50 | 62 | 75 |

