

Lobe knobs

Technopolymer

MATERIAL

High-resilience polypropylene based (PP) technopolymer, black colour, matte finish.

VCT.25: glass-fibre reinforced polyamide based (PA) technopolymer, black colour, matte finish.

BOSS CAP

- CA.VCT: polypropylene-based (PP) technopolymer, in Elecolors colours, matte finish, press-fit assembly. Supplied. Not available for VCT.25.

Available also as accessory sold separately (see table).

STANDARD EXECUTIONS

- **VCT-A:** black-oxide steel boss, plain blind hole.
- **VCT-B:** brass boss, threaded blind hole (VCT.25 - 95) or threaded pass-through hole (VCT.32 - 40 - 50 - 63 - 74 - 84).
- **VCT-AZ:** zinc-plated steel boss, threaded pass-through hole.
- **VCT-SST:** AISI 303 stainless steel boss, threaded blind hole (VCT.25) or threaded pass-through hole (VCT.32 - 40 - 50 - 63 - 74 - 84).
- **VCT-FP:** brass boss, threaded pass-through hole, without cap.
- **VCT-AZ-FP:** zinc-plated steel boss, threaded pass-through hole, without cap.
- **VCT-SST-FP:** AISI 303 stainless steel boss, threaded pass-through hole, without cap.
- **VCT-p:** zinc-plated steel threaded stud, chamfered flat end according to UNI 947 : ISO 4753 (see Technical data).
- **VCT-SST-p:** AISI 303 stainless steel threaded stud, chamfered flat end according to UNI 947 : ISO 4753 (see Technical data).

ACCESSORIES ON REQUEST

- CA.VCT: polypropylene-based (PP) technopolymer boss cap, in Elecolors colours, matte finish, press-fit assembly, not available for VCT.25. For sufficient quantities, it can be supplied in other colours or with customised graphic symbols, marks or writings.

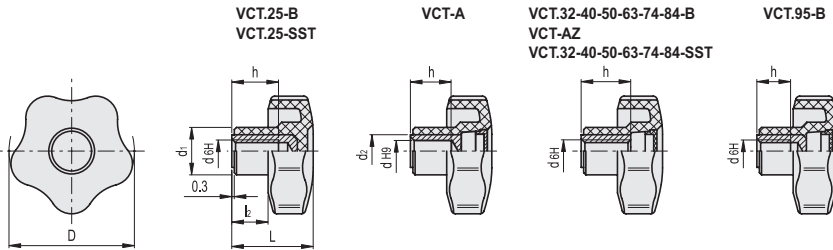


ELESA Original design

C9 C2 C3 C4 C5 C6 C17
 RAL9005 RAL2004 RAL7035 RAL1021 RAL5024 RAL3000 RAL6017

	C9	C2	C3	C4	C5	C6	
Boss cap for	Code						Description
VCT.32	6900	6903	6904	6905	6906	6901	CA.VCT.32-*
VCT.40	6910	6913	6914	6915	6916	6911	CA.VCT.40-*
VCT.50	6920	6923	6924	6925	6926	6921	CA.VCT.50-*
VCT.63-74-95	6930	6933	6934	6935	6936	6931	CA.VCT.63-74-95-*
VCT.84	6980	6983	6984	6986	6981	6987	CA.VCT.84-*

* Complete with colour index (C9, ..., C6).



* Complete with colour index, example: 69841-C2 VCT.32 A-6-C2

C9 C2 C3 C4 C5 C6 C17
 RAL9005 RAL2004 RAL7035 RAL1021 RAL5024 RAL3000 RAL6017

VCT-A

Code	Description	D	dh9	L	d1	d2	l2	h	Δ
69841-*	VCT.32 A-6-*	32	6	23	15	12	10	12	34
69892-*	VCT.40 A-8-*	40	8	27	17	12	12	14	36
69951-*	VCT.50 A-8-*	50	8	32	19	12	14	14	37
69952-*	VCT.50 A-10-*	50	10	32	19	15	14	16	34
70001-*	VCT.63 A-8-*	63	8	37	22	15	16	20	52
70002-*	VCT.63 A-10-*	63	10	37	22	16	16	21	49
70003-*	VCT.63 A-12-*	63	12	37	22	16	16	21	48
70051-*	VCT.74 A-8-*	74	8	43.5	26	15	22	20	65
70052-*	VCT.74 A-10-*	74	10	43.5	26	15	22	21	67
70053-*	VCT.74 A-12-*	74	12	43.5	26	15	22	20	62
70055-*	VCT.74 A-16-*	74	16	43.5	26	20	22	20	60
70123-*	VCT.84 A-12-*	84	12	44	28	20	21	25	91
70125-*	VCT.84 A-16-*	84	16	44	28	20	21	25	93



* Complete with colour index, example: 69843-C2 VCT.32 B-M5-C2



VCT-B

Code	Description	D	d6H	L	d1	l2	h	C# [Nm]	⚖️
69811-C9	VCT.25 B-M4-C9	25	M4	19	13	8	10	6	7
69812-C9	VCT.25 B-M5-C9	25	M5	19	13	8	10	7	6
69813-C9	VCT.25 B-M6-C9	25	M6	19	13	8	10	7	5
69843-*	VCT.32 B-M5-*	32	M5	23	15	10	12	10	11
69844-*	VCT.32 B-M6-*	32	M6	23	15	10	12	10	10
69845-*	VCT.32 B-M8-*	32	M8	23	15	10	12	10	9
69893-*	VCT.40 B-M6-*	40	M6	27	17	12	18	16	26
69894-*	VCT.40 B-M8-*	40	M8	27	17	12	18	18	24
69895-*	VCT.40 B-M10-*	40	M10	27	17	12	17	18	23
69953-*	VCT.50 B-M8-*	50	M8	32	19	14	20	25	38
69954-*	VCT.50 B-M10-*	50	M10	32	19	14	20	27	34
69955-*	VCT.50 B-M12-*	50	M12	32	19	14	20	27	30
70012-*	VCT.63 B-M8-*	63	M8	37	22	16	26	48	45
70013-*	VCT.63 B-M10-*	63	M10	37	22	16	26	50	42
70014-*	VCT.63 B-M12-*	63	M12	37	22	16	26	50	40
70062-*	VCT.74 B-M12-*	74	M12	43.5	26	22	26	60	57
70063-*	VCT.74 B-M14-*	74	M14	43.5	26	22	26	65	53
70064-*	VCT.74 B-M16-*	74	M16	43.5	26	22	31	69	55
70133-*	VCT.84 B-M12-*	84	M12	44	28	21	25	65	91
70135-*	VCT.84 B-M16-*	84	M16	44	28	21	25	75	93
70097-*	VCT.95 B-M16-*	95	M16	46	32	21	22	100	109

VCT-AZ

Code	Description	D	d6H	L	d1	l2	h	C# [Nm]	⚖️
69741-C9	VCT.32 AZ-M4-C9	32	M4	23	15	10	12	10	12
69742-C9	VCT.32 AZ-M5-C9	32	M5	23	15	10	12	10	11
69743-C9	VCT.32 AZ-M6-C9	32	M6	23	15	10	12	10	10
69752-C9	VCT.40 AZ-M6-C9	40	M6	27	17	12	18	16	26
69753-C9	VCT.40 AZ-M8-C9	40	M8	27	17	12	18	18	24
69761-C9	VCT.50 AZ-M8-C9	50	M8	32	19	14	20	25	38
69762-C9	VCT.50 AZ-M10-C9	50	M10	32	19	14	20	27	34
69772-C9	VCT.63 AZ-M10-C9	63	M10	37	22	16	26	50	42
69773-C9	VCT.63 AZ-M12-C9	63	M12	37	22	16	26	50	40
69782-C9	VCT.74 AZ-M12-C9	74	M12	43.5	26	22	26	60	57
69784-C9	VCT.74 AZ-M16-C9	74	M16	43.5	26	22	31	69	55
69794-C9	VCT.84 AZ-M16-C9	84	M16	44	28	21	25	75	93

VCT-SST

STAINLESS STEEL

Code	Description	D	d6H	L	d1	l2	h	C# [Nm]	⚖️
69807-C9	VCT.25-SST-M4-C9	25	M4	19	13	8	10	7	6
69873-*	VCT.32-SST-M5-*	32	M5	23	15	10	12	10	11
69874-*	VCT.32-SST-M6-*	32	M6	23	15	10	12	10	10
69941-*	VCT.40-SST-M6-*	40	M6	27	17	12	18	16	26
69943-*	VCT.40-SST-M8-*	40	M8	27	17	12	18	18	24
69991-*	VCT.50-SST-M8-*	50	M8	32	19	14	20	27	39
69993-*	VCT.50-SST-M10-*	50	M10	32	19	14	20	27	35
70005-*	VCT.63-SST-M10-*	63	M10	37	22	16	26	50	43
70006-*	VCT.63-SST-M12-*	63	M12	37	22	16	26	50	41
70056-*	VCT.74-SST-M12-*	74	M12	43.5	26	22	26	60	58
70183-*	VCT.84-SST-M16-*	84	M16	44	28	21	25	75	94

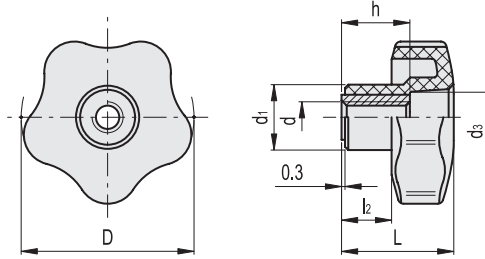
"Max limit Tightening torque" means the max torque value at which the metal insert, in normal conditions of use, is perfectly and strongly anchored to the plastic material.



2

Clamping knobs

VCT-FP
VCT-AZ-FP
VCT-SST-FP



VCT-FP

Code	Description	D	d6H	L	d1	d3	l2	h	⚖
69847	VCT.32 FP-M5	32	M5	23	15	10	10	12	11
69848	VCT.32 FP-M6	32	M6	23	15	10	10	12	10
69849	VCT.32 FP-M8	32	M8	23	15	10	10	12	9
69897	VCT.40 FP-M6	40	M6	27	17	12	12	18	26
69898	VCT.40 FP-M8	40	M8	27	17	12	12	18	24
69899	VCT.40 FP-M10	40	M10	27	17	12	12	17	23
69956	VCT.50 FP-M8	50	M8	32	19	15	14	20	38
69957	VCT.50 FP-M10	50	M10	32	19	15	14	20	34
69958	VCT.50 FP-M12	50	M12	32	19	15	14	20	30
70016	VCT.63 FP-M8	63	M8	37	22	19	16	26	44
70017	VCT.63 FP-M10	63	M10	37	22	19	16	26	42
70018	VCT.63 FP-M12	63	M12	37	22	19	16	26	40
70067	VCT.74 FP-M12	74	M12	43.5	26	17	22	26	56
70068	VCT.74 FP-M14	74	M14	43.5	26	17	22	26	52
70069	VCT.74 FP-M16	74	M16	43.5	26	17	22	31	54
70143	VCT.84 FP-M12	84	M12	44	28	24	21	25	92
70145	VCT.84 FP-M16	84	M16	44	28	24	21	25	91

VCT-AZ-FP

Code	Description	D	d6H	L	d1	d3	l2	h	⚖
69746	VCT.32 AZ-FP-M6	32	M6	23	15	10	10	12	10
69756	VCT.40 AZ-FP-M8	40	M8	27	17	12	12	18	26
69766	VCT.50 AZ-FP-M8	50	M8	32	19	15	14	20	38
69767	VCT.50 AZ-FP-M10	50	M10	32	19	15	14	20	34
69776	VCT.63 AZ-FP-M12	63	M12	37	22	19	16	26	40
69786	VCT.74 AZ-FP-M12	74	M12	43.5	26	17	22	31	56
69796	VCT.84 AZ-FP-M16	84	M16	44	28	24	21	25	92

VCT-SST-FP

STAINLESS STEEL

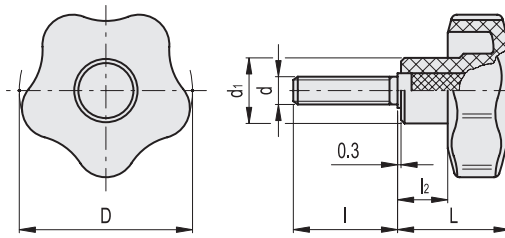
Code	Description	D	d6H	L	d1	d3	l2	h	⚖
69877	VCT.32-SST-FP-M5	32	M5	23	15	10	10	12	12
69878	VCT.32-SST-FP-M6	32	M6	23	15	10	10	12	13
69942	VCT.40-SST-FP-M6	40	M6	27	17	12	12	18	27
69944	VCT.40-SST-FP-M8	40	M8	27	17	12	12	18	25
69992	VCT.50-SST-FP-M8	50	M8	32	19	15	14	20	39
69994	VCT.50-SST-FP-M10	50	M10	32	19	15	14	20	35
70007	VCT.63-SST-FP-M10	63	M10	37	22	19	16	26	43
70008	VCT.63-SST-FP-M12	63	M12	37	22	19	16	26	41
70057	VCT.74-SST-FP-M12	74	M12	43.5	26	17	22	26	57
70185	VCT.84-SST-FP-M16	84	M16	44	28	24	21	25	92

"Max limit Tightening torque" means the max torque value at which the metal insert, in normal conditions of use, is perfectly and strongly anchored to the plastic material.



Clamping knobs

VCT-p



* Complete with colour index, example: 69872-C2 VCT.32 p-M5x20-C2

- C9**
RAL9005
- C2**
RAL2004
- C3**
RAL7035
- C4**
RAL1021
- C5**
RAL5024
- C6**
RAL3000
- C17**
RAL6017

VCT-p

Code	Description	D	d6g	L	d1	l	l2	C# [Nm]	
69816-C9	VCT.25 p-M4x6-C9	25	M4	19	13	6	8	5	5
69817-C9	VCT.25 p-M4x10-C9	25	M4	19	13	10	8	5	6
69821-C9	VCT.25 p-M5x10-C9	25	M5	19	13	10	8	6	7
69822-C9	VCT.25 p-M5x16-C9	25	M5	19	13	16	8	6	8
69823-C9	VCT.25 p-M5x20-C9	25	M5	19	13	20	8	6	9
69824-C9	VCT.25 p-M5x25-C9	25	M5	19	13	25	8	6	10
69825-C9	VCT.25 p-M5x30-C9	25	M5	19	13	30	8	6	12
69826-C9	VCT.25 p-M5x40-C9	25	M5	19	13	40	8	6	14
69831-C9	VCT.25 p-M6x10-C9	25	M6	19	13	10	8	6	8
69832-C9	VCT.25 p-M6x16-C9	25	M6	19	13	16	8	6	9
69833-C9	VCT.25 p-M6x20-C9	25	M6	19	13	20	8	6	10
69835-C9	VCT.25 p-M6x25-C9	25	M6	19	13	25	8	6	11
69834-C9	VCT.25 p-M6x30-C9	25	M6	19	13	30	8	6	13
69836-C9	VCT.25 p-M6x40-C9	25	M6	19	13	40	8	6	15
69872.*	VCT.32 p-M5x20.*	32	M5	23	15	20	10	6	13
69851.*	VCT.32 p-M6x16.*	32	M6	23	15	16	10	8	13
69852.*	VCT.32 p-M6x20.*	32	M6	23	15	20	10	8	14
69853.*	VCT.32 p-M6x25.*	32	M6	23	15	25	10	8	15
69854.*	VCT.32 p-M6x30.*	32	M6	23	15	30	10	8	16
69855.*	VCT.32 p-M6x35.*	32	M6	23	15	35	10	8	17
69856.*	VCT.32 p-M6x40.*	32	M6	23	15	40	10	8	18
69857.*	VCT.32 p-M6x45.*	32	M6	23	15	45	10	8	19
69858.*	VCT.32 p-M6x50.*	32	M6	23	15	50	10	8	20
69860.*	VCT.32 p-M6x60.*	32	M6	23	15	60	10	8	21
69859.*	VCT.32 p-M8x16.*	32	M8	23	15	16	10	8	14
69861.*	VCT.32 p-M8x20.*	32	M8	23	15	20	10	8	18
69863.*	VCT.32 p-M8x30.*	32	M8	23	15	30	10	8	21
69865.*	VCT.32 p-M8x40.*	32	M8	23	15	40	10	8	24
69867.*	VCT.32 p-M8x50.*	32	M8	23	15	50	10	8	26
69901.*	VCT.40 p-M6x20.*	40	M6	27	17	20	12	13	18
69902.*	VCT.40 p-M6x25.*	40	M6	27	17	25	12	13	19
69903.*	VCT.40 p-M6x30.*	40	M6	27	17	30	12	13	20
69911.*	VCT.40 p-M8x16.*	40	M8	27	17	16	12	16	23
69912.*	VCT.40 p-M8x20.*	40	M8	27	17	20	12	16	24
69913.*	VCT.40 p-M8x25.*	40	M8	27	17	25	12	16	26
69914.*	VCT.40 p-M8x30.*	40	M8	27	17	30	12	16	27
69915.*	VCT.40 p-M8x35.*	40	M8	27	17	35	12	16	28
69916.*	VCT.40 p-M8x40.*	40	M8	27	17	40	12	16	30
69917.*	VCT.40 p-M8x45.*	40	M8	27	17	45	12	16	32
69918.*	VCT.40 p-M8x50.*	40	M8	27	17	50	12	16	35
69919.*	VCT.40 p-M8x55.*	40	M8	27	17	55	12	16	36
69922.*	VCT.40 p-M8x70.*	40	M8	28	17	70	12	16	40
69931.*	VCT.40 p-M10x20.*	40	M10	27	17	20	12	18	26
69933.*	VCT.40 p-M10x25.*	40	M10	27	17	25	12	18	28
69935.*	VCT.40 p-M10x30.*	40	M10	27	17	30	12	18	30
69937.*	VCT.40 p-M10x40.*	40	M10	27	17	40	12	18	32
69939.*	VCT.40 p-M10x50.*	40	M10	27	17	50	12	18	34

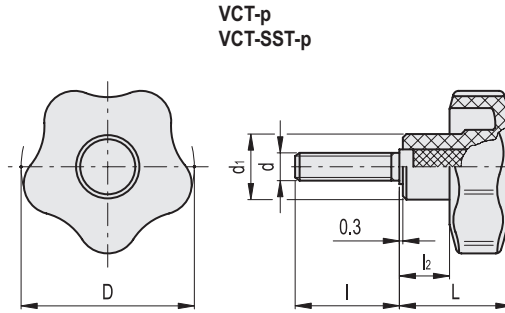
VCT-p

Code	Description	D	d6g	L	d1	l	l2	C# [Nm]	
69960.*	VCT.50 p-M8x16.*	50	M8	32	19	16	14	16	26
69961.*	VCT.50 p-M8x20.*	50	M8	32	19	20	14	16	28
69962.*	VCT.50 p-M8x25.*	50	M8	32	19	25	14	16	30
69963.*	VCT.50 p-M8x30.*	50	M8	32	19	30	14	16	31
69965.*	VCT.50 p-M8x40.*	50	M8	32	19	40	14	16	33
69967.*	VCT.50 p-M8x50.*	50	M8	32	19	50	14	16	35
69970.*	VCT.50 p-M10x16.*	50	M10	32	19	16	14	23	34
69971.*	VCT.50 p-M10x20.*	50	M10	32	19	20	14	23	36
69972.*	VCT.50 p-M10x25.*	50	M10	32	19	25	14	23	39
69973.*	VCT.50 p-M10x30.*	50	M10	32	19	30	14	23	41
69974.*	VCT.50 p-M10x35.*	50	M10	32	19	35	14	23	43
69975.*	VCT.50 p-M10x40.*	50	M10	32	19	40	14	23	46
69976.*	VCT.50 p-M10x45.*	50	M10	32	19	45	14	23	48
69977.*	VCT.50 p-M10x50.*	50	M10	32	19	50	14	23	51
69978.*	VCT.50 p-M10x55.*	50	M10	32	19	55	14	23	53
69979.*	VCT.50 p-M10x60.*	50	M10	32	19	60	14	23	55
69981.*	VCT.50 p-M12x20.*	50	M12	32	19	20	14	25	39
69983.*	VCT.50 p-M12x30.*	50	M12	32	19	30	14	25	44
69985.*	VCT.50 p-M12x40.*	50	M12	32	19	40	14	25	49
69987.*	VCT.50 p-M12x50.*	50	M12	32	19	50	14	25	54
69989.*	VCT.50 p-M12x60.*	50	M12	32	19	60	14	25	59
70021.*	VCT.63 p-M10x20.*	63	M10	37	22	20	16	37	54
70023.*	VCT.63 p-M10x30.*	63	M10	37	22	30	16	37	59
70025.*	VCT.63 p-M10x40.*	63	M10	37	22	40	16	37	64
70027.*	VCT.63 p-M10x50.*	63	M10	37	22	50	16	37	69
70029.*	VCT.63 p-M10x60.*	63	M10	37	22	60	16	37	74
70030.*	VCT.63 p-M12x20.*	63	M12	37	22	20	16	46	65
70031.*	VCT.63 p-M12x25.*	63	M12	37	22	25	16	46	67
70032.*	VCT.63 p-M12x30.*	63	M12	37	22	30	16	46	67
70034.*	VCT.63 p-M12x35.*	63	M12	37	22	35	16	46	70
70033.*	VCT.63 p-M12x40.*	63	M12	37	22	40	16	46	73
70036.*	VCT.63 p-M12x50.*	63	M12	37	22	50	16	46	79
70039.*	VCT.63 p-M12x60.*	63	M12	37	22	60	16	46	85

* "# Max limit Tightening torque" means the max torque value at which the metal insert, in normal conditions of use, is perfectly and strongly anchored to the plastic material.



Clamping knobs 2



* Complete with colour index, example: 69881-C2 VCT.32-SST-p-M6x16-C2

C9 RAL9005
 C2 RAL2004
 C3 RAL7035
 C4 RAL1021
 C5 RAL5024
 C6 RAL3000
 C17 RAL6017

VCT-p

Code	Description	D	d6g	L	d1	l	l2	C# [Nm]	
70083-*	VCT.74 p-M12x30-*	74	M12	43.5	26	30	22	68	86
70085-*	VCT.74 p-M12x50-*	74	M12	43.5	26	50	22	68	98
70087-*	VCT.74 p-M12x70-*	74	M12	43.5	26	70	22	68	110
70095-*	VCT.74 p-M14x50-*	74	M14	43.5	26	50	22	78	106
70089-*	VCT.74 p-M16x30-*	74	M16	43.5	26	30	22	80	132
70090-*	VCT.74 p-M16x40-*	74	M16	43.5	26	40	22	80	144
70091-*	VCT.74 p-M16x50-*	74	M16	43.5	26	50	22	80	156
70092-*	VCT.74 p-M16x60-*	74	M16	43.5	26	60	22	80	168
70093-*	VCT.74 p-M16x70-*	74	M16	43.5	26	70	22	80	180
70153-*	VCT.84 p-M12x30-*	84	M12	44	28	30	21	80	84
70155-*	VCT.84 p-M12x50-*	84	M12	44	28	50	21	80	99
70157-*	VCT.84 p-M12x70-*	84	M12	44	28	70	21	80	113
70173-*	VCT.84 p-M16x30-*	84	M16	44	28	30	21	85	131
70175-*	VCT.84 p-M16x40-*	84	M16	44	28	40	21	85	141
70177-*	VCT.84 p-M16x50-*	84	M16	44	28	50	21	85	157
70179-*	VCT.84 p-M16x60-*	84	M16	44	28	60	21	85	170
70181-*	VCT.84 p-M16x70-*	84	M16	44	28	70	21	85	185
70099-*	VCT.95 p-M16x50-*	95	M16	46	32	50	21	138	175

"Max limit Tightening torque" means the max torque value at which the metal insert, in normal conditions of use, is perfectly and strongly anchored to the plastic material.

VCT-SST-p

STAINLESS STEEL

Code	Description	D	d6g	L	d1	l	l2	C# [Nm]	
69837-C9	VCT.25-SST-p-M5x10-C9	25	M5	19	13	10	8	6	8
69838-C9	VCT.25-SST-p-M5x16-C9	25	M5	19	13	16	8	6	9
69839-C9	VCT.25-SST-p-M5x20-C9	25	M5	19	13	20	8	6	10
69840-C9	VCT.25-SST-p-M5x25-C9	25	M5	19	13	25	8	6	11
69881-*	VCT.32-SST-p-M6x16-*	32	M6	23	15	16	10	8	14
69882-*	VCT.32-SST-p-M6x20-*	32	M6	23	15	20	10	8	15
69883-*	VCT.32-SST-p-M6x25-*	32	M6	23	15	25	10	8	16
69884-*	VCT.32-SST-p-M6x30-*	32	M6	23	15	30	10	8	17
69945-*	VCT.40-SST-p-M8x20-*	40	M8	27	17	20	12	18	25
69946-*	VCT.40-SST-p-M8x25-*	40	M8	27	17	25	12	18	27
69947-*	VCT.40-SST-p-M8x30-*	40	M8	27	17	30	12	18	28
69948-*	VCT.40-SST-p-M8x40-*	40	M8	27	17	40	12	18	31
69995-*	VCT.50-SST-p-M10x20-*	50	M10	32	19	20	14	25	37
69996-*	VCT.50-SST-p-M10x25-*	50	M10	32	19	25	14	25	40
69997-*	VCT.50-SST-p-M10x30-*	50	M10	32	19	30	14	25	42
70000-*	VCT.50-SST-p-M10x40-*	50	M10	32	19	40	14	25	45
69998-*	VCT.50-SST-p-M10x45-*	50	M10	32	19	45	14	25	49
69999-*	VCT.50-SST-p-M10x55-*	50	M10	32	19	55	14	25	54
70042-*	VCT.63-SST-p-M12x30-*	63	M12	37	22	30	16	46	68
70043-*	VCT.63-SST-p-M12x40-*	63	M12	37	22	40	16	46	74
70046-*	VCT.63-SST-p-M12x50-*	63	M12	37	22	50	16	46	80
70073-*	VCT.74-SST-p-M12x30-*	74	M12	43.5	26	30	22	68	87
70075-*	VCT.74-SST-p-M12x50-*	74	M12	43.5	26	50	22	68	100
70191-*	VCT.84-SST-p-M16x30-*	84	M16	44	28	30	21	85	132
70194-*	VCT.84-SST-p-M16x50-*	84	M16	44	28	50	21	85	159
70197-*	VCT.84-SST-p-M16x70-*	84	M16	44	28	70	21	85	186

"Max limit Tightening torque" means the max torque value at which the metal insert, in normal conditions of use, is perfectly and strongly anchored to the plastic material.

Clamping knobs 2