

## Ball transfer units

### ESD conductive technopolymer

#### MATERIAL

Conductive special technopolymer body, black colour. Volume resistivity  $<10^5 \Omega\text{cm}$ , DIN IEC 93 test method, surface resistivity  $<10^5 \Omega$ , DIN 53482 test method.

Main ball in AISI 316 stainless steel.

Internal support and transfer balls of the main ball in AISI 316 stainless steel.

#### FEATURES AND APPLICATIONS

UTB-SST-ESD ball transfer units are particularly suitable for applications on transfer and conveyor lines or end of production lines. They facilitate both linear and rotational movements favouring maximum smoothness (see Technical Data on page -).

The special ESD conductive technopolymer prevents the accumulation of electrostatic charges.

The UTB-SST-ESD ball transfer unit is therefore suitable for applications in "ESD PROTECTED AREA" (EPA) areas.

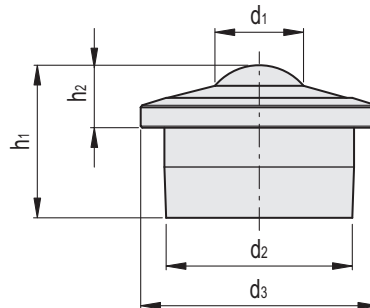
The self-lubricating technopolymer structure ensures maximum cleanliness as it does not require lubrication with oils and greases.

The stainless steel ball lends itself to handling loads with sharp and angular surfaces.

Furthermore, since these are corrosion-resistant materials, it is possible to wash them, even frequently.

#### ACCESSORIES ON REQUEST

GN 509.3 (see page -): spring rings in stainless steel to allow easy, quick insertion and removal of UTB-SST-ESD units.



#### UTB-SST-ESD

STAINLESS STEEL

Code	Description	d1	d2	d3	h1	h2	Mounting hole H7	Max. load [N]	
470551	UTB.15-SST-ESD	15	24	31	21	9,8	24	300	23