

Support bases

Technopolymer

MATERIAL

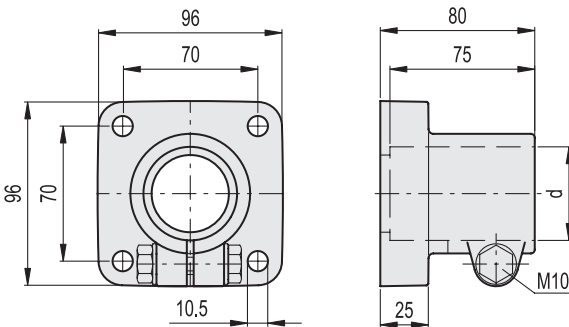
Glass-fibre reinforced polyamide based (PA) technopolymer, black colour, matte finish.

STANDARD EXECUTIONS

- **TTA-A:** zinc-plated steel M10 screw, nut and washer.
- **TTA-SST:** AISI 304 stainless steel M10 screw, nut and washer.

FEATURES

Maximum tightening torque for screw assembly 35 Nm.



TTA-A

Code	Description	d Tube (mm)	d Tube (GAS)	⚖️
419650	TTA.48-A	48.3	1"1/2	260

TTA-SST

STAINLESS STEEL

Code	Description	d Tube (mm)	d Tube (GAS)	⚖️
419651	TTA.48-SST	48.3	1"1/2	260

Support bases

Technopolymer

MATERIAL

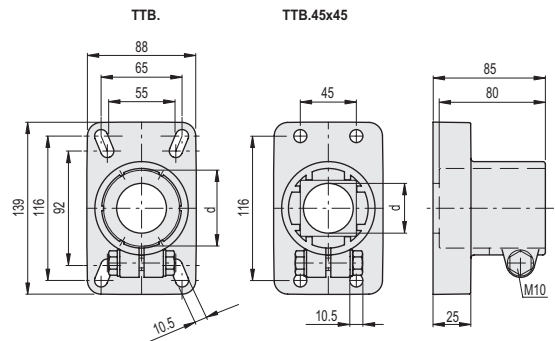
Glass-fibre reinforced polyamide based (PA) technopolymer, black colour, matte finish.

STANDARD EXECUTIONS

- **TTB-A:** zinc-plated steel M10 screw, nut and washer.
- **TTB-SST:** AISI 304 stainless steel M10 screw, nut and washer.

FEATURES

Maximum tightening torque for screw assembly 35 Nm.



TTB-A

Code	Description	d Tube (mm)	d Tube (GAS)	d Tube (inch)	⚖️
419768	TTB.42-A	42.4	1"1/4	-	345
419766	TTB.48-A	48.3	1"1/2	-	340
419772	TTB.50-A	50.8	-	2"	337
419764	TTB.60-A	60.3	2"	-	335
419770	TTB.45x45-A	45	-	-	340

TTB-SST

STAINLESS STEEL

419769	TTB.42-SST	42.4	1"1/4	-	345
419767	TTB.48-SST	48.3	1"1/2	-	340
419773	TTB.50-SST	50.8	-	2"	337
419765	TTB.60-SST	60.3	2"	-	335
419771	TTB.45x45-SST	45	-	-	340