

Oil fill plugs

with flat dipstick for push-fit, technopolymer

MATERIAL

High-resilience polypropylene based (PP) technopolymer, black colour, matte finish.

PACKING RINGS

Two NBR synthetic rubber O-rings.

FLAT DIPSTICK

Flat section phosphatised steel.

On request and for sufficient quantities dipstick can be supplied in different lengths and/or complete with MAX-MIN level lines.

STANDARD EXECUTIONS

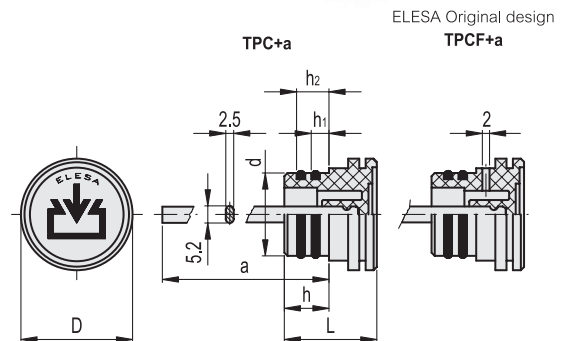
- **TPC+a**: without side hole.
- **TPCF+a**: with side breather hole.

MAXIMUM CONTINUOUS WORKING TEMPERATURE

100°C.

GRAPHIC SYMBOL "FILL"

According to DIN regulations.



TPC+a

Code	Description	d+0.2	h	D	L	h1	h2	a	⚖
59865	TPC.20+a	20	14	30	29	6.5	10.5	188	27
59885	TPC.26+a	26	14	35	29.5	6.5	10.5	188	35

TPCF+a

Code	Description	d+0.2	h	D	L	h1	h2	a	⚖
59905	TPCF.20+a	20	14	30	29	6.5	10.5	188	27
59925	TPCF.26+a	26	14	35	29.5	6.5	10.5	188	35

