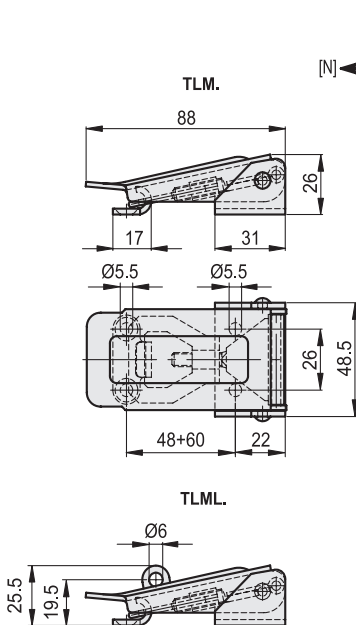


Adjustable hook clamps

Steel or stainless steel

STANDARD EXECUTIONS

- **TLM.**: basic hook clamp.
 - **TLML**: hook clamp with padlock hole.
- Indexes for materials and treatments to add to the above-mentioned standard executions:
- **Z**: zinc-plated steel.
 - **SST**: AISI 304 stainless steel.



TLM.Z - TLML.Z

Code	Description	Max. working load [N]	Load at breakage [N]	⚖️
420151	TLM.Z-26/48-60+R	1500	3000	175
420153	TLML.Z-26/48-60+R	1500	3000	175

TLM.SST

STAINLESS STEEL

420152	TLM.SST-26/48-60+R	1500	3000	175
--------	--------------------	------	------	-----

Adjustable hook clamps

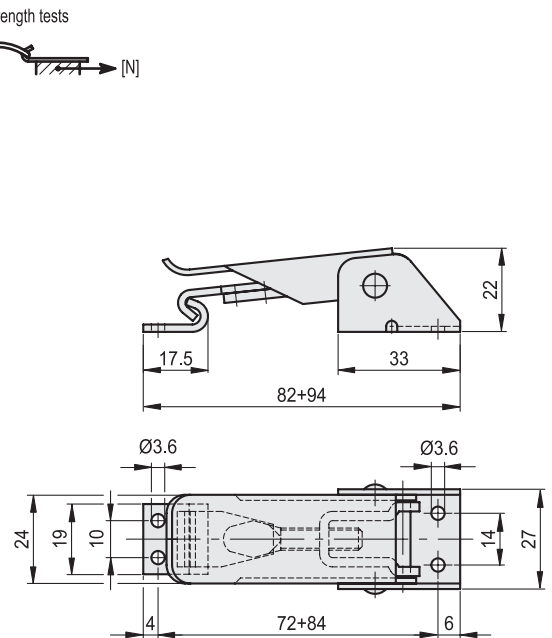
Steel

LEVER BODY AND CATCH BRACKET MATERIAL

Zinc-plated steel.

SPECIAL EXECUTIONS ON REQUEST

Adjustable hook clamps with padlock holes.



Code	Description	Max. working load [N]	Load at breakage [N]	⚖️
420161	TLN.Z-14/72-84+R	1000	2000	74

