

## Adjustable hook clamps

Steel or stainless steel

### STANDARD EXECUTIONS

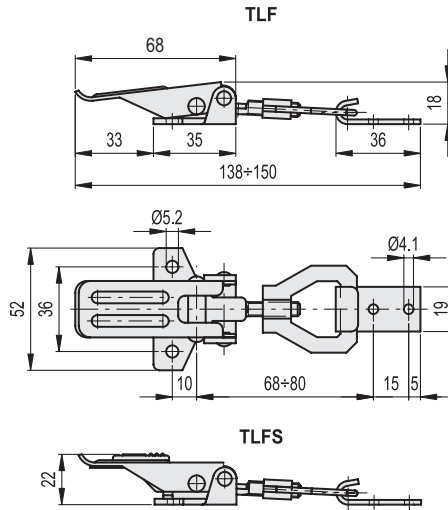
- **TLF**: basic hook clamps.
- **TLFS**: hook clamps with security stop. RAL 3000 red technopolymer push button.

Indexes for materials and treatments to add to the above-mentioned standard executions:

- **Z**: zinc-plated steel.
- **SST**: AISI 304 stainless steel.
- **NH**: nickel-plated steel.

### SPECIAL EXECUTIONS ON REQUEST

- Hook clamps in unplated steel.
- Catch brackets in different shapes and finishes.



### TLF.Z - TLFS.NH

Code	Description	Max. working load [N]	Load at breakage [N]	⚖️
420101	TLF.Z-24/138-150+R	1100	2500	101
420103	TLFS.NH-24/138-150+R	1100	2500	103

### TLF.SST - TLFS.SST

**STAINLESS STEEL**

Code	Description	Max. working load [N]	Load at breakage [N]	⚖️
420102	TLF.SST-24/138-150+R	1100	2500	101
420104	TLFS.SST-24/138-150+R	1100	2500	103