

Hook clamps

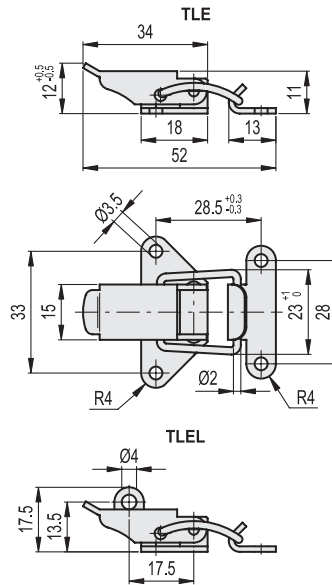
Steel or stainless steel

STANDARD EXECUTIONS

- **TLE.Z**: zinc-plated steel basic hook clamps.
- **TLE.SST**: AISI 304 stainless steel basic hook clamps.
- **TLEL.Z**: zinc-plated steel basic hook clamps with padlock holes.

SPECIAL EXECUTIONS ON REQUEST

- Hook clamps in unplated steel or nickel-plated steel.
- Catch brackets in different shapes and finishes.



TLE.Z

Code	Description	Max. working load [N]	Load at breakage [N]	⚖️
420091	TLE.Z-15/52+R	550	1200	21

TLE.SST

STAINLESS STEEL

Code	Description	Max. working load [N]	Load at breakage [N]	⚖️
420092	TLE.SST-15/52+R	550	1800	21

TLEL.Z

Code	Description	Max. working load [N]	Load at breakage [N]	⚖️
420093	TLEL.Z-15/52+R	550	1800	21