

## Connecting clamps with sleeve

### Technopolymer

#### CLAMP

Glass-fibre reinforced polyamide based (PA) technopolymer, RAL 9005 (C9) black colour or grey RAL 7040 (C33) colour, matte finish.

#### SCREWS AND NUTS (SUPPLIED)

Cylindrical-head screw with hexagon socket in AISI 304 stainless steel with anti-seizure treatment.

Self-locking nuts in AISI 304 stainless steel.

#### FEATURES

Clamps for tubes with a diameter of  $18 \pm 0.2$  and  $30 \pm 0.2$  mm.

For smaller diameter tubes, the hole reduction sleeve TCC-A can be used (ordered separately).

The "s" grub screws may be replaced by the kit TCC-KS.

#### TECHNICAL DATA

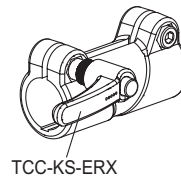
The resistance values shown in the table were measured during laboratory tests at ambient temperature with the screws tightened to the suggested torque "C#".

#### ACCESSORIES ON REQUEST (TO BE ORDERED SEPARATELY)

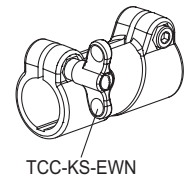
- TCC-A: reduction sleeves.
- TCC-KS: clamping kit.
- TCC-KV: screws and clamping nuts.
- GN 990: connecting tubes.



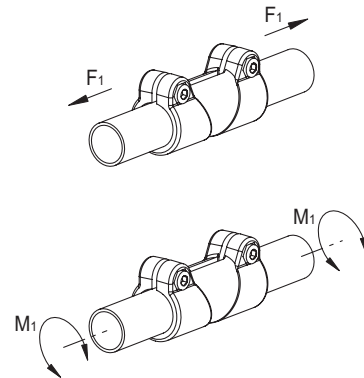
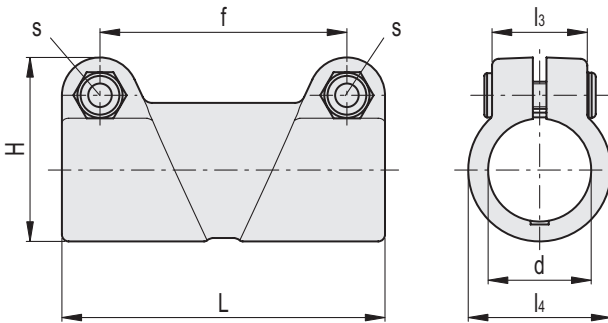
ELESA Original design



TCC-KS-ERX



TCC-KS-EWN



C9  
 RAL9005
  C33  
 RAL7040

STAINLESS STEEL

Code	Description	d	L	H	f	l3	l4	s	C# [Nm]	F1* [N]	M1** [Nm]	⚖️
600131-C9	TCC-SL-18-18-C9	18	64.5	35.5	48	20.5	29	M6	5	1100	13	45
600131-C33	TCC-SL-18-18-C33	18	64.5	35.5	48	20.5	29	M6	5	1100	13	45
600231-C9	TCC-SL-30-30-C9	30	94.5	53.5	72	27	42	M8	12	1400	25	116
600231-C33	TCC-SL-30-30-C33	30	94.5	53.5	72	27	42	M8	12	1400	25	116

# Suggested torque for screw assembly.

\* Resistance to tube pull out

\*\* Resistance to tube rotation