

Clamping kit for TCC

Technopolymer

ADJUSTABLE HANDLE AND WING NUT

Glass-fibre reinforced polyamide based (PA) technopolymer, grey-black colour, matte finish.

DISTANCE BUSHING

Glass-fibre reinforced polyamide based (PA) technopolymer, black colour, matte finish.

SELF-LOCKING NUT

AISI 304 stainless steel.

STANDARD EXECUTIONS

- **TCC-KS-ERX**: adjustable handle with AISI 303 stainless steel threaded stud, chamfered flat end UNI 947 : ISO 4753 (see Technical data on page -), with black push button.
- **TCC-KS-EWN**: wing nuts with AISI 303 stainless steel threaded stud, chamfered flat end UNI 947 : ISO 4753 (see Technical data on page -), with black cap.

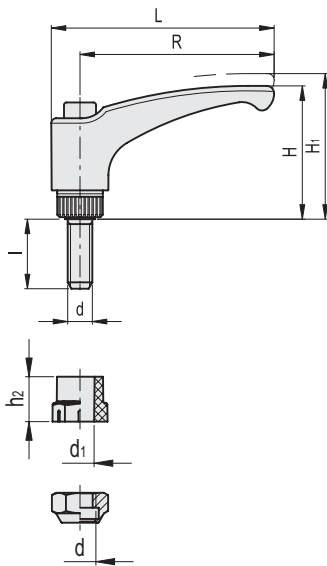
FEATURES AND APPLICATIONS

The clamping kit for TCC, comprising a distance bushing, an adjustable handle or a wing nut and nut, is used when clamping operations are required.

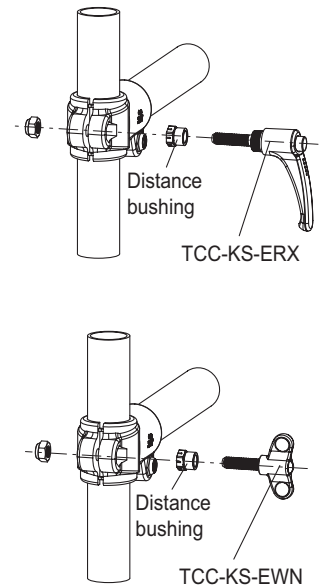
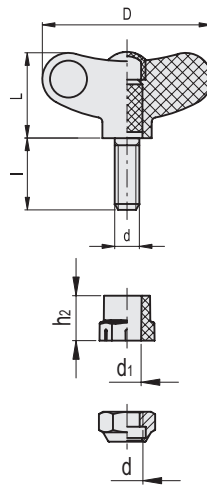
ELESA Original design



TCC-KS-ERX



TCC-KS-EWN



TCC-KS-ERX

STAINLESS STEEL

| Code | Description | d | R | D | L | H | H1 | h3 | I | Il | For TCC | △ |
|-----------|------------------------------|----|----|----|------|------|------|------|----|------|---------|----|
| 600509-C1 | TCC-KS-ERX.30-SST-p-M6x30-C1 | M6 | 30 | 15 | 37.5 | 30 | 33.5 | 23 | 30 | 9 | TCC-18 | 21 |
| 600519-C1 | TCC-KS-ERX.44-SST-p-M6x30-C1 | M6 | 44 | 16 | 52 | 32.5 | 36 | 25 | 30 | 11 | TCC-18 | 23 |
| 600525-C1 | TCC-KS-ERX.63-SST-p-M6x30-C1 | M6 | 63 | 19 | 72.5 | 43 | 47 | 34.5 | 30 | 13.5 | TCC-18 | 25 |
| 600541-C1 | TCC-KS-ERX.63-SST-p-M8x40-C1 | M8 | 63 | 19 | 72.5 | 43 | 47 | 34.5 | 40 | 13.5 | TCC-30 | 47 |
| 600557-C1 | TCC-KS-ERX.78-SST-p-M8x40-C1 | M8 | 78 | 23 | 89.5 | 54 | 58 | 44 | 40 | 16 | TCC-30 | 56 |

TCC-KS-EWN

STAINLESS STEEL

| Code | Description | d | D | L | b | I | For TCC | △ |
|-----------|------------------------------|----|----|----|---|----|---------|----|
| 600607-C1 | TCC-KS-EWN.48-SST-p-M6x30-C1 | M6 | 47 | 24 | 7 | 30 | TCC-18 | 18 |
| 600619-C1 | TCC-KS-EWN.55-SST-p-M8x40-C1 | M8 | 55 | 28 | 8 | 40 | TCC-30 | 36 |