

## Hinged joints with clamps

### Technopolymer

#### CLAMPS

Glass-fibre reinforced polyamide based (PA) technopolymer, RAL 9005 (C9) black colour or grey RAL 7040 (C33) colour, matte finish.

#### SCREWS AND NUTS (SUPPLIED)

Cylindrical-head screw with hexagon socket in AISI 304 stainless steel with anti-seizure treatment.

Self-locking nuts in AISI 304 stainless steel.

#### STANDARD EXECUTIONS

- **TCC-AP-AP-T**: with teeth.
- **TCC-AP-AP-S**: without teeth.

#### FEATURES

Joints comprising clamps with external/internal teeth (36 teeth) have a 10° adjustment angle.

Joints comprising clamps without teeth can be positioned at any angle.

Clamps for tubes with a diameter of  $30 \pm 0.2$  mm.

For smaller diameter tubes, the hole reduction sleeve can be used TCC-A (to be ordered separately).

The "s" grub screws may be replaced by the kit TCC-KS.

#### TECHNICAL DATA

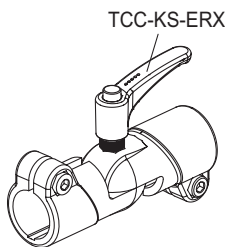
The resistance values shown in the table were measured during laboratory tests at ambient temperature with the screws tightened to the maximum torque "C#".

#### ACCESSORIES ON REQUEST (TO BE ORDERED SEPARATELY)

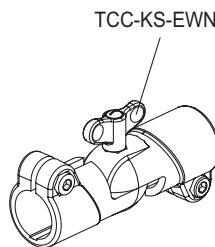
- TCC-A (see page -): reduction sleeves.
- TCC-KS (see page -): clamping kit.
- GN 197 (see page -): monitor mounts.
- TCC-KV (see page -): screws and clamping nuts.
- GN 990 (see page -): connecting tubes.



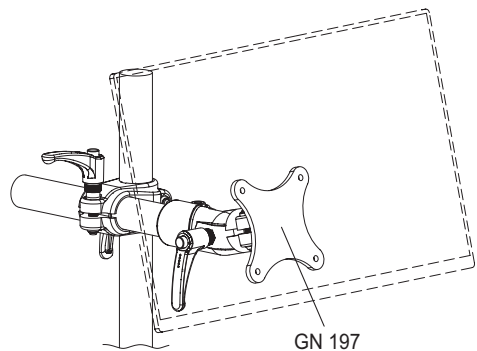
ELESA Original design



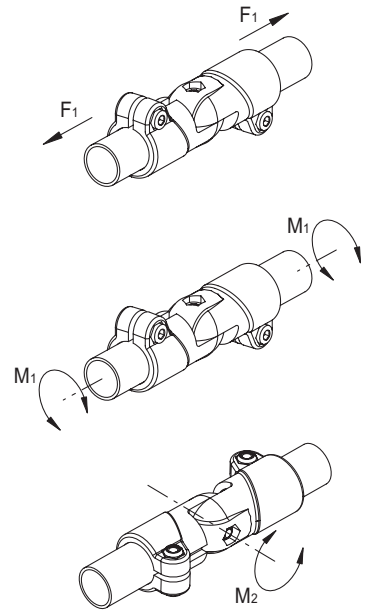
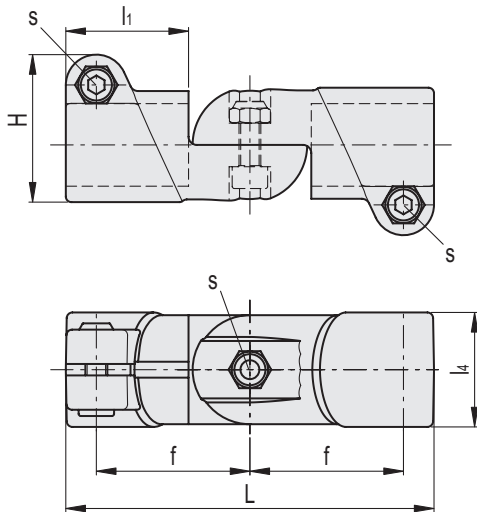
TCC-KS-ERX



TCC-KS-EWN



GN 197



C9 RAL9005    
 C33 RAL7040

**TCC-AP-AP-T**

**STAINLESS STEEL**

Code	Description	d	L	H	f	l1	l3	l4	s	C#	F1*	M1**	M2***	⚖️
										[Nm]	[N]	[Nm]	[Nm]	
600801-C9	TCC-AP-AP-30-T-C9	30	135	54	56	45	28	42	M8	12	3300	33	140	178
600801-C33	TCC-AP-AP-30-T-C33	30	135	54	56	45	28	42	M8	12	3300	33	140	178

**TCC-AP-AP-S**

**STAINLESS STEEL**

Code	Description	d	L	H	f	l1	l3	l4	s	C#	F1*	M1**	M2***	⚖️
										[Nm]	[N]	[Nm]	[Nm]	
600802-C9	TCC-AP-AP-30-S-C9	30	135	54	56	45	28	42	M8	12	3300	33	6	178
600802-C33	TCC-AP-AP-30-S-C33	30	135	54	56	45	28	42	M8	12	3300	33	6	178

# Suggested torque for screw assembly.

\* Resistance to tube pull out

\*\* Resistance to tube rotation

\*\*\* Resistance to joint rotation.

