

## Hole reduction sleeve

for TCC clamps, technopolymer

### MATERIAL

Glass-fibre reinforced polyamide based (PA) technopolymer, RAL 9005 (C9) black colour or grey RAL 7040 (C33) colour, matte finish.

### STANDARD EXECUTIONS

**TCC-A:** for round tubes with diameter of "d1"  $\pm 0,2\text{mm}$ .

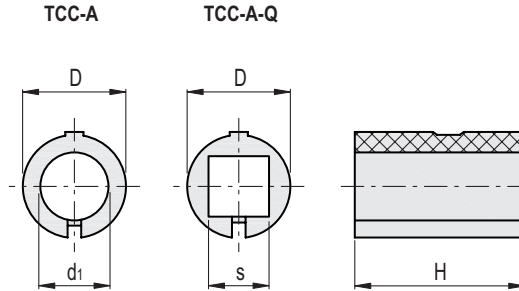
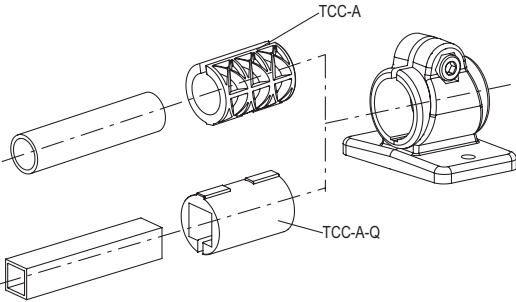
**TCC-A-Q:** for square section tubes "s"  $\pm 0,2\text{mm}$ .

### TECHNICAL DATA

The resistance values shown in the table were measured during laboratory tests at ambient temperature with the screws tightened to the maximum torque of 5 Nm for TCC-A-18 and 12 Nm for TCC-A-30.



ELESA Original design



C9  
RAL9005
  C33  
RAL7040

### TCC-A

Code	Description	D	H	d1	⚖
600101-C9	TCC-A-18-12-C9	18	29	12	5
600101-C33	TCC-A-18-12-C33	18	29	12	5
600102-C9	TCC-A-18-14-C9	18	29	14	4
600102-C33	TCC-A-18-14-C33	18	29	14	4
600103-C9	TCC-A-18-15-C9	18	29	15	4
600103-C33	TCC-A-18-15-C33	18	29	15	4
600104-C9	TCC-A-18-16-C9	18	29	16	3
600104-C33	TCC-A-18-16-C33	18	29	16	3
600201-C9	TCC-A-30-20-C9	30	45	20	15
600201-C33	TCC-A-30-20-C33	30	45	20	15
600202-C9	TCC-A-30-25-C9	30	45	25	10
600202-C33	TCC-A-30-25-C33	30	45	25	10

### TCC-A-Q

Code	Description	D	H	s	⚖
600107-C9	TCC-A-18-Q10-C9	18	29	10	6
600107-C33	TCC-A-18-Q10-C33	18	29	10	6
600108-C9	TCC-A-18-Q12-C9	18	29	12	4
600108-C33	TCC-A-18-Q12-C33	18	29	12	4
600207-C9	TCC-A-30-Q20-C9	30	45	20	17
600207-C33	TCC-A-30-Q20-C33	30	45	20	17

Resistance to tube pull-out (F1) and rotation (M1) with the hole reduction sleeves inserted in the different types of clamps

	TCC-AB		TCC-CR		TCC-SL		TCC-TB		TCC-TS	
	F1 [N]	M1 [Nm]	F1 [N]	M1 [Nm]	F1 [N]	M1 [Nm]	F1 [N]	M1 [Nm]	F1 [N]	M1 [Nm]
TCC-A-18-12	900	5	1250	5	900	5	900	5	900	5
TCC-A-18-14	1000	7	1650	10	1400	7	1050	8	1200	7
TCC-A-18-15	1000	7	1650	14	1400	10	1100	13	1200	11
TCC-A-18-16	1050	7	2000	14	1300	11	1200	14	1250	12
TCC-A-30-20	1000	8	1000	5	1000	6	1150	7	1000	6
TCC-A-30-25	1350	11	1300	7	1300	7	1600	7	1400	7
TCC-A-18-Q10	200		400		200		250		250	
TCC-A-18-Q12	400		800		400		500		500	
TCC-A-30-Q20	900		800		600		1150		1000	

	TCC-AP		TCC-TP		TCC-AP-AP		TCC-AP-PB	
	F1 [N]	M1 [Nm]	F1 [N]	M1 [Nm]	F1 [N]	M1 [Nm]	F1 [N]	M1 [Nm]
TCC-A-30-20	1600	12	1600	12	1600	12	1600	12
TCC-A-30-25	2700	15	2700	15	2700	15	2700	15
TCC-A-30-Q20	1400		1400		1400		1400	

	TCC-AP-PBF		TCC-AP-TP		TCC-TP-PB		TCC-TP-PBF	
	F1 [N]	M1 [Nm]	F1 [N]	M1 [Nm]	F1 [N]	M1 [Nm]	F1 [N]	M1 [Nm]
TCC-A-30-20	1600	12	1600	12	1600	12	1600	12
TCC-A-30-25	2700	15	2700	15	2700	15	2700	15
TCC-A-30-Q20	1400		1400		1400		1400	

