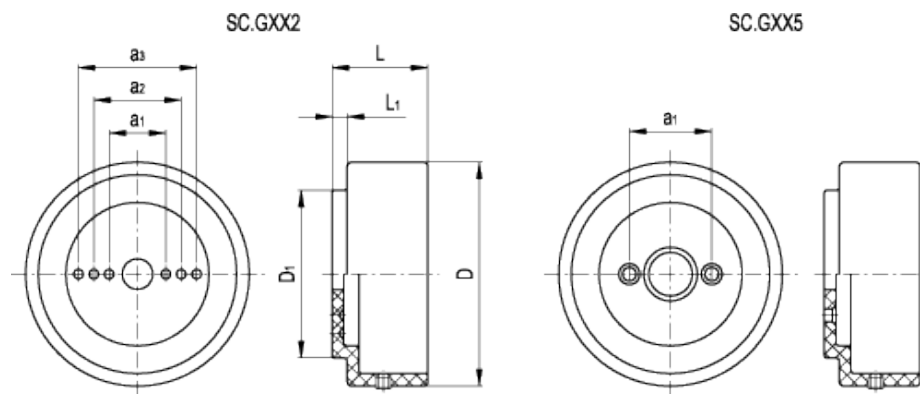


SC-XX

Indicator housings



technical informations

Material

Glass-fibre reinforced polyamide based (PA) technopolymer. Resistant to solvents, oils, greases and other chemical agents.

Colour

Black, matte finish.

Assembly

- GXX2: three couples of dimples on the bottom of the housing (to drill according to the type of indicator) and two M4x10 countersunk head screws, included in the supply.
- GXX5: two holes for M4x10 countersunk head screws, included in the supply.

Features and applications

SC. indicator housings are suitable with gravity indicators on handwheels or control devices.

| Standard Elements | | Main dimensions | | | | | | | Weight |
|-------------------|-------------|-----------------|----|----------------|----------------|----------------|----------------|----------------|--------|
| Code | Description | D | L | D ₁ | L ₁ | a ₁ | a ₂ | a ₃ | g |
| CE.40002 | SC.GXX2 | 76 | 34 | 57 | 1 | 31.5 | 39 | 45 | 72 |
| CE.40005 | SC.GXX5 | 122 | 41 | 70 | 6 | 30 | - | - | 191 |

| Possible assembly with indicators | | | | | |
|-----------------------------------|-------------|------|------|------|------|
| Code | Description | GA02 | GA05 | GA12 | GW12 |
| CE.40002 | SC.GXX2 | • | - | • | • |
| CE.40005 | SC.GXX5 | - | • | - | - |



ELESA and GANTER models all rights reserved in accordance with the law. Always mention the source when reproducing our drawings.

STANDARD MACHINE ELEMENTS WORLDWIDE