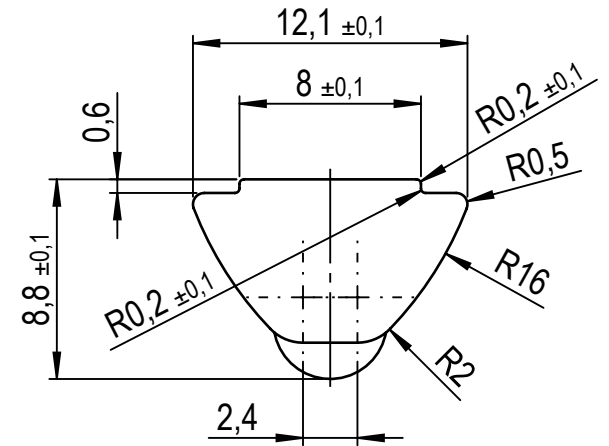
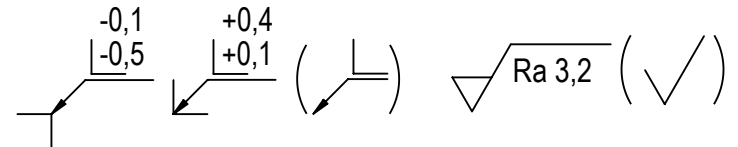


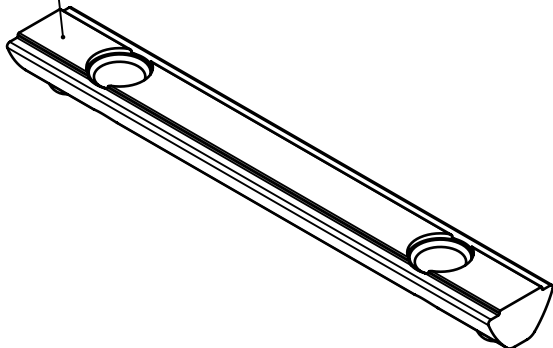
Material: 1.4310 / DIN EN 10270-3



Material: Edelstahl / Stainless steel A2



Material: 1.0044 / S275JR  
Finish: zinc plated 8-12 µm, blue passivated



		Tolerance principle ISO 8015		General tolerances ISO 2768 — mK		Material		Scale <b>3:1</b>	
		Surface texture ISO 21920		Dimensional tolerance ISO 14405-1				 DIN ISO 5456	
Edges ISO 13715		Angular sizes ISO 14405-3		Drawing No. S20521-125227		Index		Part No.	
Finish		Description <b>T-Nut</b> GN 50i-8M8-V-SZ; customer profile; l = 90; m = 5		Date		Name		Customer ref. 16900101 / 1265105 B	
Index		Revision		Date		Name		Customer 400106	
				Draf. 28.11.24		jweb		Weight 40 g	
				Appr. 28.11.24		jweb		A4	

Only for inquiry