

RH-EE-01 | Folding handle with recessed tray

Stainless steel



MATERIAL

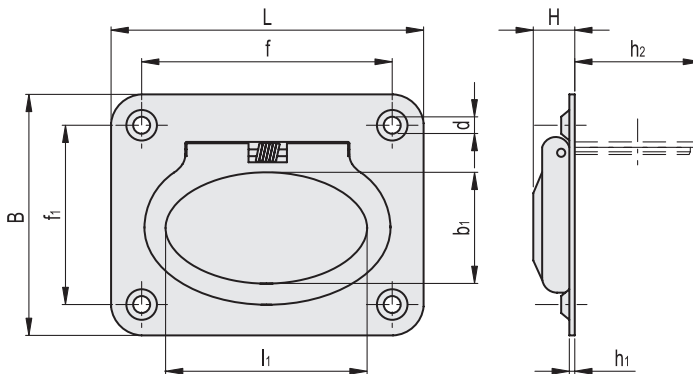
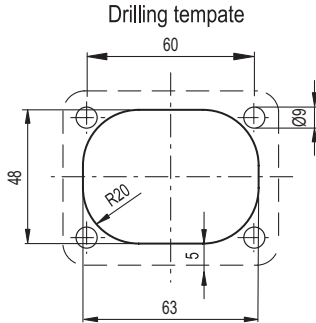
AISI 304 stainless steel with electropolished finish.
Handle with return spring from work to rest position.

STANDARD EXECUTION

Pass-through holes for M4 countersunk-head screws.

APPLICATIONS

RH-EE-01 series flush pull handles are generally used on devices where it is requested to save space.



Code	f	L	B	f1	b1	H	h1	h2	l1	d	⚖️
RHEE-01.R075.39	60	75	58	43	26	10	1	34	46	4.5	51

