

Castors for general use

Vulcanised rubber coating

COVERING

Grey anti-trace rubber.

WHEEL CENTRE BODY

Polypropylene-based (PP) technopolymer, with polyamide thread guards (D = 40 mm) or with metal thread guards (D = 50, 60, 80 mm).

ROLLING ACTION

Hub with pass-through hole.

FIXED PLATE BRACKET

Electrolytically zinc-plated steel sheet bracket.

TURNING PLATE BRACKET

Electrolytically zinc-plated steel sheet bracket.

The presence of a double ball race and direct contact between the plate and the ball race ring with built-in pin ensure excellent manoeuvrability.

FRONT-ACTUATED BRAKE

Total brake that locks the wheel and bracket rotation. The optimised dimensions and the retractible pedal ensure minimal space occupied and maximum actuation ease.

STANDARD EXECUTIONS

- **PBL**: fixed plate bracket, without brake.
- **SBL**: turning plate bracket, without brake.
- **SBF**: turning plate bracket, with brake.
- **CBL**: turning plate bracket and threaded centre pin, without brake.
- **CBF**: turning plate bracket and threaded centre pin, with brake.
- **FBL**: turning plate bracket and centre pass-through hole, without brake.
- **FBF**: turning plate bracket and centre pass-through hole, with brake.

APPLICATIONS

Castors for the general public, excellent rolling resistance and elasticity features.

ENVIRONMENTAL CONDITIONS

Suitable for use in humid environments and in the presence of medium-aggressive chemical environments; use in environments with the presence of organic, chlorinated solvents, hydrocarbons and mineral oils is not recommended.



RE.C7-PBL-C

RE.C7-SBL-C

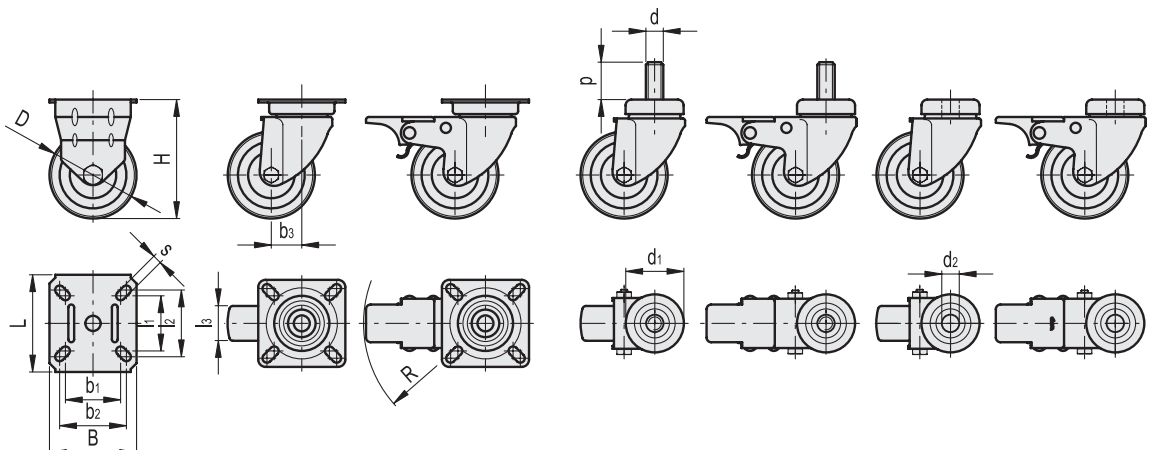
RE.C7-SBF-C

RE.C7-CBL-C

RE.C7-CBF-C

RE.C7-FBL-C

RE.C7-FBF-C



RE.C7-PBL

Code	Description	D	l ₁	l ₂	l ₃	H	B	L	s	b ₁	b ₂	Dynamic carrying capacity# [N]	⚖️
452096	RE.C7-040-PBL-C	40	27	33	18	59	48	48	5	27	33	300	110
452101	RE.C7-050-PBL-C	50	38.5	44	20	67	55	55	6	38.5	44	350	200
452106	RE.C7-060-PBL-C	60	39.5	48	24	83	60	67	6	39.5	48	500	260
452111	RE.C7-080-PBL-C	80	39.5	48	24	104	60	67	6	39.5	48	550	340

RE.C7-SBL

Code	Description	D	l ₁	l ₂	l ₃	H	B	L	s	b ₁	b ₂	b ₃	Dynamic carrying capacity# [N]	⚖️
451996	RE.C7-040-SBL-C	40	30	33	18	59	42	42	5	30	33	24	300	120
452001	RE.C7-050-SBL-C	50	38.5	44	20	67	55	55	6	38.5	44	24	350	200
452006	RE.C7-060-SBL-C	60	38.5	48	24	83	60	67	6	38.5	48	21	500	280
452011	RE.C7-080-SBL-C	80	38.5	48	24	104	60	67	6	38.5	48	30	550	430

RE.C7-SBF

Code	Description	D	l ₁	l ₂	l ₃	H	B	L	s	b ₁	b ₂	b ₃	R	Dynamic carrying capacity# [N]	⚖️
452046	RE.C7-040-SBF-C	40	30	33	18	59	42	42	5	30	33	24	78	300	150
452051	RE.C7-050-SBF-C	50	38.5	44	20	67	55	55	6	38.5	44	24	76	350	240
452056	RE.C7-060-SBF-C	60	38.5	48	24	83	60	67	6	38.5	48	21	84	500	400
452061	RE.C7-080-SBF-C	80	38.5	48	24	104	60	67	6	38.5	48	30	91	550	500

RE.C7-CBL

Code	Description	D	d	p	d ₁	l ₃	H	b ₃	Dynamic carrying capacity# [N]	⚖️
452146	RE.C7-040-CBL-C	40	M8	15	35	18	59	24	300	130
452151	RE.C7-050-CBL-C	50	M8	15	35	18	66	24	350	180
452156	RE.C7-060-CBL-C	60	M12	25	41	24	83	21	500	290
452161	RE.C7-080-CBL-C	80	M12	25	41	24	104	25	550	390

RE.C7-CBF

Code	Description	D	d	p	d ₁	l ₃	H	b ₃	R	Dynamic carrying capacity# [N]	⚖️
452196	RE.C7-040-CBF-C	40	M8	15	35	18	59	24	78	300	180
452201	RE.C7-050-CBF-C	50	M8	15	35	18	66	24	76	350	210
452206	RE.C7-060-CBF-C	60	M12	25	41	24	83	21	84	500	360
452211	RE.C7-080-CBF-C	80	M12	25	41	24	104	25	91	550	460

RE.C7-FBL

Code	Description	D	d ₁	d ₂	l ₃	H	b ₃	Dynamic carrying capacity# [N]	⚖️
452246	RE.C7-040-FBL-C	40	35	10	18	59	24	300	110
452251	RE.C7-050-FBL-C	50	35	10	18	66	24	350	200
452256	RE.C7-060-FBL-C	60	41	12	24	83	21	500	280
452261	RE.C7-080-FBL-C	80	41	12	24	104	25	550	430

RE.C7-FBF

Code	Description	D	d ₁	d ₂	l ₃	H	b ₃	R	Dynamic carrying capacity# [N]	⚖️
452296	RE.C7-040-FBF-C	40	35	10	18	59	24	78	300	140
452301	RE.C7-050-FBF-C	50	35	10	18	66	24	76	350	240
452306	RE.C7-060-FBF-C	60	41	12	24	83	21	84	500	400
452311	RE.C7-080-FBF-C	80	41	12	24	104	25	91	550	500

For dynamic carrying capacity see Technical data

