



RB52

Reduction sleeves for DD52R

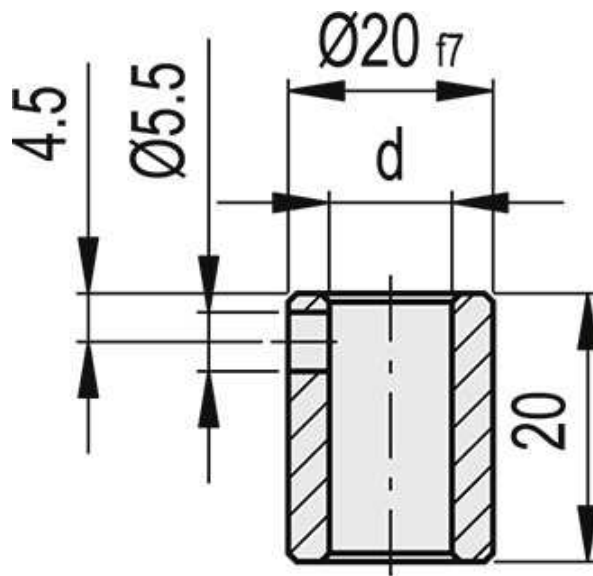
Steel or stainless steel



Main specifications

Standard executions

- **RB52**: black-oxide steel.
- **RB52-SST**: AISI 304 stainless steel.



RB52

Code	Description	d _{H7}
CE.87940	RB52-12	12
CE.87950	RB52-14	14
CE.87955	RB52-15	15
CE.87960	RB52-16	16

RB52

Code	Description	d _{H7}
CE.97941	RB52-12-SST-304	12
CE.97951	RB52-14-SST-304	14
CE.97956	RB52-15-SST-304	15
CE.97961	RB52-16-SST-304	16