



RB50

Hole reduction sleeve for DD50

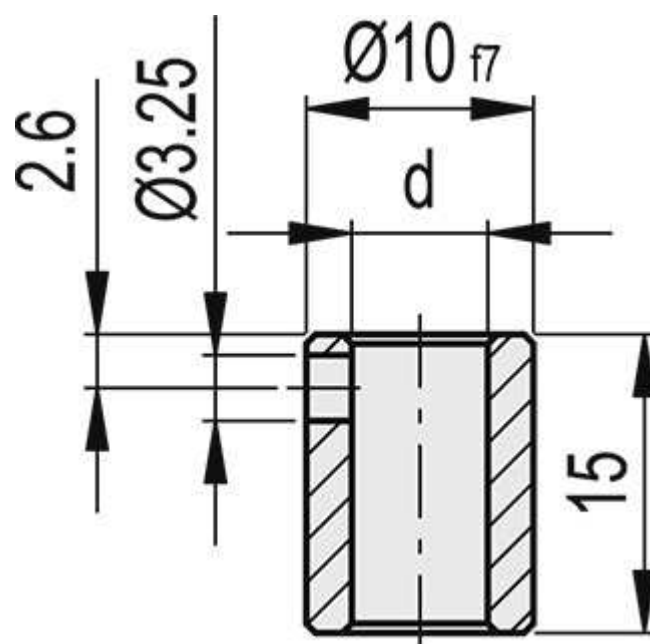
Steel or stainless steel



Main specifications

Standard executions

- **RB50**: black-oxide steel.
- **RB50-SST**: AISI 304 stainless steel.



RB50

Code	Description	d _{H7}
CE.80940	RB50-6	6
CE.80950	RB50-8	8

RB50

Code	Description	d _{H7}
CE.90940	RB50-6-SST	6
CE.90950	RB50-8-SST	8