

## Profile for side guides

for GLB, stainless steel

### MATERIAL

AISI 304 stainless steel.

### FEATURES AND APPLICATIONS

PRB-GLB profile is used for the assembly of GLB-1 and GLB-2 side guides (Fig.1).

Supplied in bars of 1500 or 3000 mm length.

### ACCESSORIES ON REQUEST

- MPG-P: assembly pin.
- MPG-V: zinc-plated steel hammer head screw (see GLA-1).

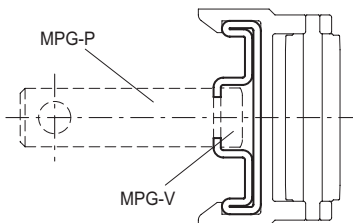
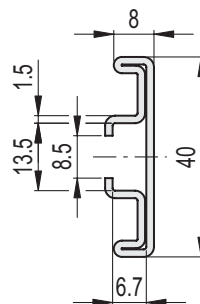
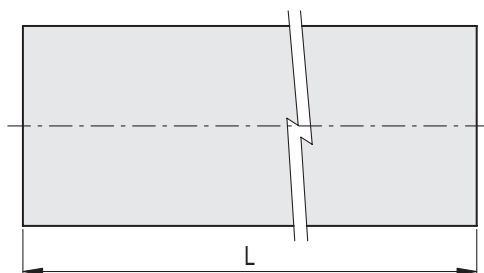
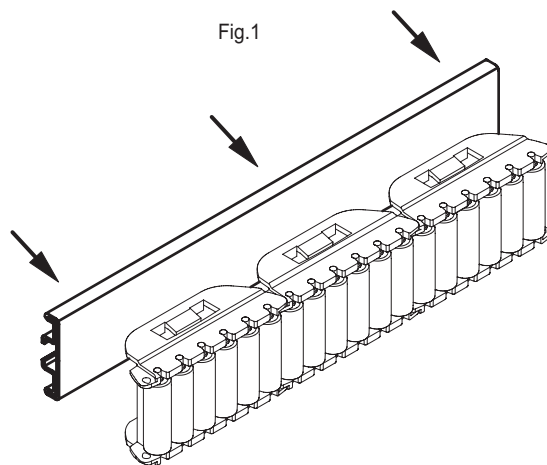


Fig.1



### STAINLESS STEEL

Code	Description	L	ΔΔ
419186	PRB-GLB-40-1500	1500	1820
419183	PRB-GLB-40-3000	3000	3640