

Separation block for GCA-4 central guides

Technopolymer

BODY

Polyethylene based (PE) technopolymer, grey colour.

SCREWS AND NUTS WITH THREAD LOCK

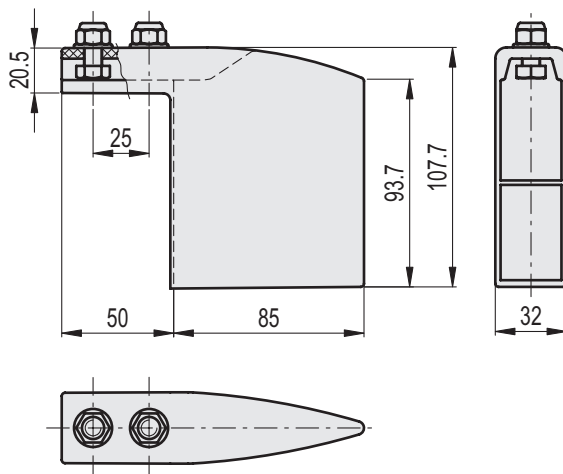
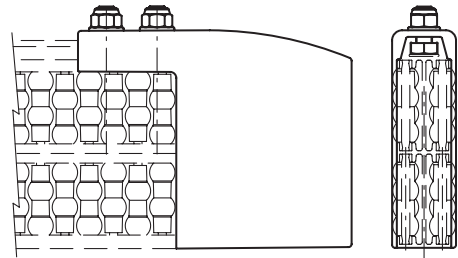
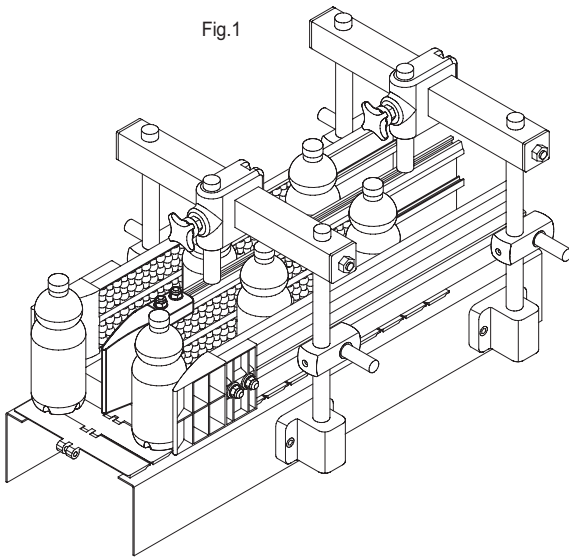
AISI 304 stainless steel.

FEATURES AND APPLICATIONS

PGC-4 separation block is used at the ends of GCA-4 central guides (Fig.1).



Fig.1



STAINLESS STEEL

Code	Description	
419151	PGC-4-108-135	130