

Bridge handles

Technopolymer

MATERIAL

Glass-fibre reinforced polyamide based (PA) technopolymer, grey-black colour, matte finish.

STANDARD EXECUTION

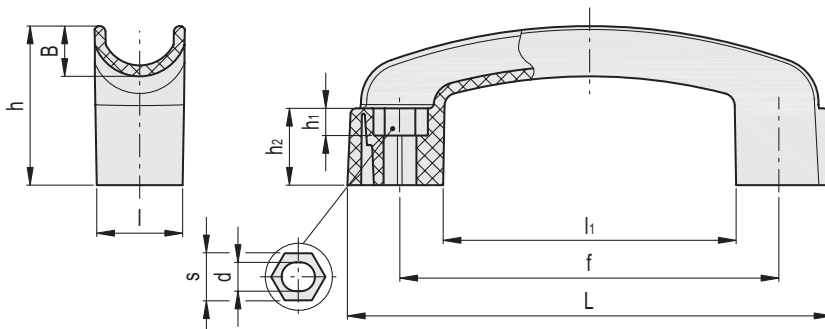
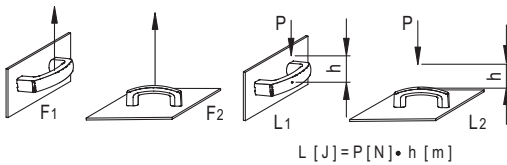
Pass-through holes for front or rear mounting by means of cylindrical-head screws with hexagon socket, hexagonal-head screws or nuts.


TECHNICAL DATA

Tensile stress and impact strength: the values F1, F2, L1 and L2 indicated in the table were obtained during breaking tests carried out with the appropriate dynamometric equipment under the test conditions shown in the figure with ambient temperature.



ELESA Original design



| Code | Description | L | l | f _{±1} | d | s | h | h ₁ | h ₂ | B | l ₁ | F1 [N] | F2 [N] | L1 [J] | L2 [J] |  |
|--------|-------------|-----|----|-----------------|-----|----|------|----------------|----------------|------|----------------|--------|--------|--------|--------|---|
| 260910 | MPC.152-6 | 153 | 28 | 117-120 | 6.5 | 10 | 49.5 | 6.5 | 24 | 15.5 | 93 | 2800 | 2500 | 10 | 30 | 57 |
| 260911 | MPC.152-8 | 153 | 28 | 117-120 | 8.5 | 13 | 49.5 | 8.5 | 24 | 15.5 | 93 | 2800 | 2500 | 10 | 30 | 54 |