

Indicator knobs

Duroplast

MATERIAL

Phenolic based (PF) Duroplast, black colour, glossy finish.

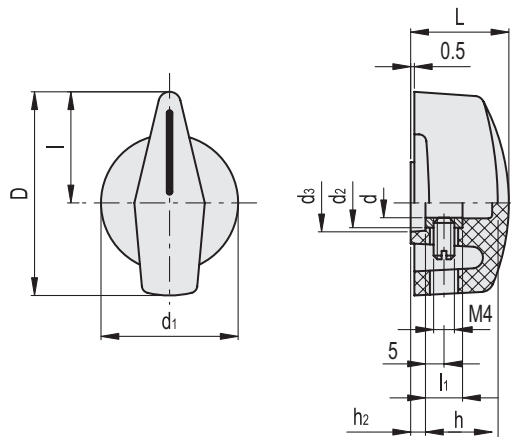
INDEX

White line.

STANDARD EXECUTION

Brass boss, plain blind hole. Assembly by means of a supplied transversal screw.

- D=45: ISO 7436 (grub screw with screwdriver slotted head and cup end).
- D=55: ISO 4762 (cylindrical-head screw with hexagon socket and cup end).



Code	Description	D	dD9	L	l	l1	d1	d2	d3	h	h2	△
40201	MI.204/45 B-6	45	6	25	24	10	35	10	15	15	7	19
40202	MI.204/45 B-8	45	8	25	24	10	35	12	12	18	3	19
40301	MI.204/55 B-6	55	6	26	30	10	37	12	12	18	3	28
40302	MI.204/55 B-8	55	8	26	30	10	37	15	15	18	3	30

