

## Fluted grip knobs

"Soft-touch" technopolymer

### MATERIAL

High-resilience polypropylene based (PP) technopolymer, black colour, matte finish.

### FLUTED RIM

"Soft-touch" thermoplastic elastomer (TPE) chemically bonded, hardness 70 Shore A. The coating material is certified according to FDA (U.S. Food and Drug administration).

### STANDARD EXECUTIONS

- **MBT-B-SOFT:** brass boss, threaded and plain blind hole.
- **MBT-p-SOFT:** zinc-plated steel threaded stud, chamfered flat end according to UNI 947 : ISO 4753 (see Technical Data on page A11).

### FEATURES AND APPLICATIONS

The rim, coated with "soft-touch" elastomer, improves the grip even in the presence of oils, greases and sweat from the hand. For this reason these fluted knobs are suitable for fitness machines, tools and machines for gardening and goods transport, high-precision instruments and disability aids.

### ERGONOMY AND DESIGN

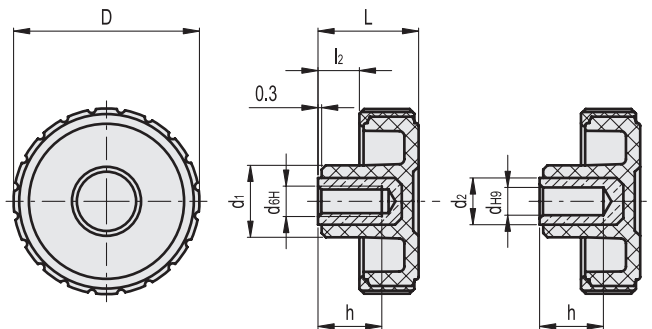
This kind of knob allows operation in an ergonomic way in all working conditions, reaching the maximum torque level with little fatigue for the operator's hand.

The very fine pitch structure of the rim, together with the soft-touch cover, simplifies the adjustment of the knob during rapid rotation (or screwing) without any unpleasant angular work for the hand and wrist.



ELESA Original design

### MBT-B-SOFT



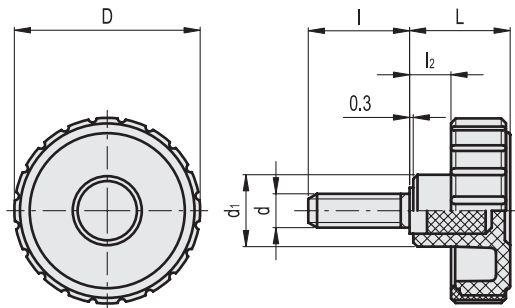
### MBT-B-SOFT

Code	Description	D	d6H	dH9	L	d1	l2	h	C# [Nm]	⚖️
134316	MBT.45 B-6-SOFT	44	-	6	24	17	10	14	18	32
134321	MBT.45 B-M6-SOFT	44	M6	-	24	17	10	12	15	31
134326	MBT.45 B-M8-SOFT	44	M8	-	24	17	10	13	18	30
134416	MBT.55 B-8-SOFT	54	-	8	30	20	12.5	20	30	40
134421	MBT.55 B-M8-SOFT	54	M8	-	30	20	12.5	20	30	46
134426	MBT.55 B-M10-SOFT	54	M10	-	30	20	12.5	18	32	44

# "Max limit tightening torque" means the value under which the metal insert, in normal conditions of use, is perfectly and strongly anchored to the plastic part.



**MBT-p-SOFT**



**MBT-p-SOFT**

Code	Description	D	d <sub>6g</sub>	L	d <sub>1</sub>	l	l <sub>2</sub>	C# [Nm]	⚖️
134341	MBT.45 p-M6x10-SOFT	44	M6	24	17	10	10	13	25
134346	MBT.45 p-M6x20-SOFT	44	M6	24	17	20	10	13	30
134381	MBT.45 p-M8x16-SOFT	44	M8	24	17	16	10	16	33
134391	MBT.45 p-M8x30-SOFT	44	M8	24	17	30	10	16	37
134396	MBT.45 p-M8x50-SOFT	44	M8	24	17	50	10	16	47
134431	MBT.55 p-M8x16-SOFT	54	M8	30	20	16	12.5	25	40
134436	MBT.55 p-M8x30-SOFT	54	M8	30	20	30	12.5	25	50
134441	MBT.55 p-M8x50-SOFT	54	M8	30	20	50	12.5	25	64
134451	MBT.55 p-M10x20-SOFT	54	M10	30	20	20	12.5	27	52
134456	MBT.55 p-M10x30-SOFT	54	M10	30	20	30	12.5	27	57
134471	MBT.55 p-M10x50-SOFT	54	M10	30	20	50	12.5	27	73

# "Max limit tightening torque" means the value under which the metal insert, in normal conditions of use, is perfectly and strongly anchored to the plastic part.